

# MAHR200 series

## PRESSURE REGULATOR



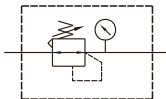
### Feature

High pressure type can regulate up to 2.7 MPa.

### Specification

Model	MAHR200
Bore No.	8A
Port size	1/4
Medium	Air
Max. operating pressure	3.5 MPa
Proof pressure	5 MPa
Regulated pressure range	Standard: 0~1 MPa
	High pressure: 0~2.7 MPa
Ambient temperature	0~+60°C (No freezing)
Attachment	Pressure gauge (PG-40W)
Weight	250 g

### Symbol



### Order example

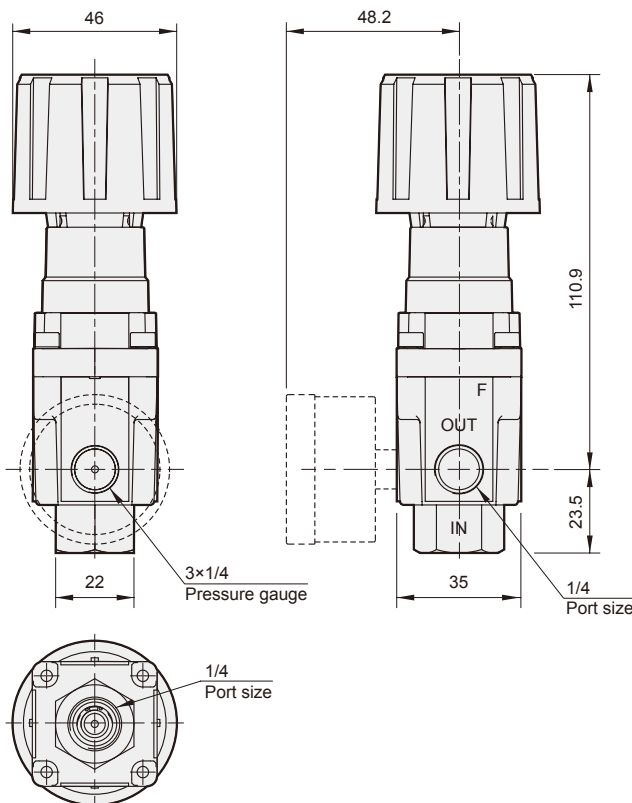
MAHR200 – 8A – □ – □

MODEL

PORT SIZE  
8A: 1/4

Blank: Standard type (Gray cap)  
H: High pressure + External pressure gauge (PG-40W-30K) (Red cap)

PORT THREAD  
Blank: Rc thread  
G: G thread  
NPT: NPT thread



### Flow feature

