

Series 353 Product Overview

Features:

- Heavy duty cast steel clamps are designed to withstand the harshest environments
- Ideally suit for parting line clamping of rotational molds
- Replaceable stainless steel pivot pins

Applications:

- Molding
- Closures for doors, lids, covers

Also Available:

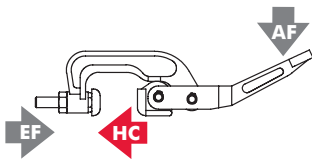
- Keeper plate
- Papered bolt assembly

353-35

353-65



Series 353 Technical Information, Holding Capacities



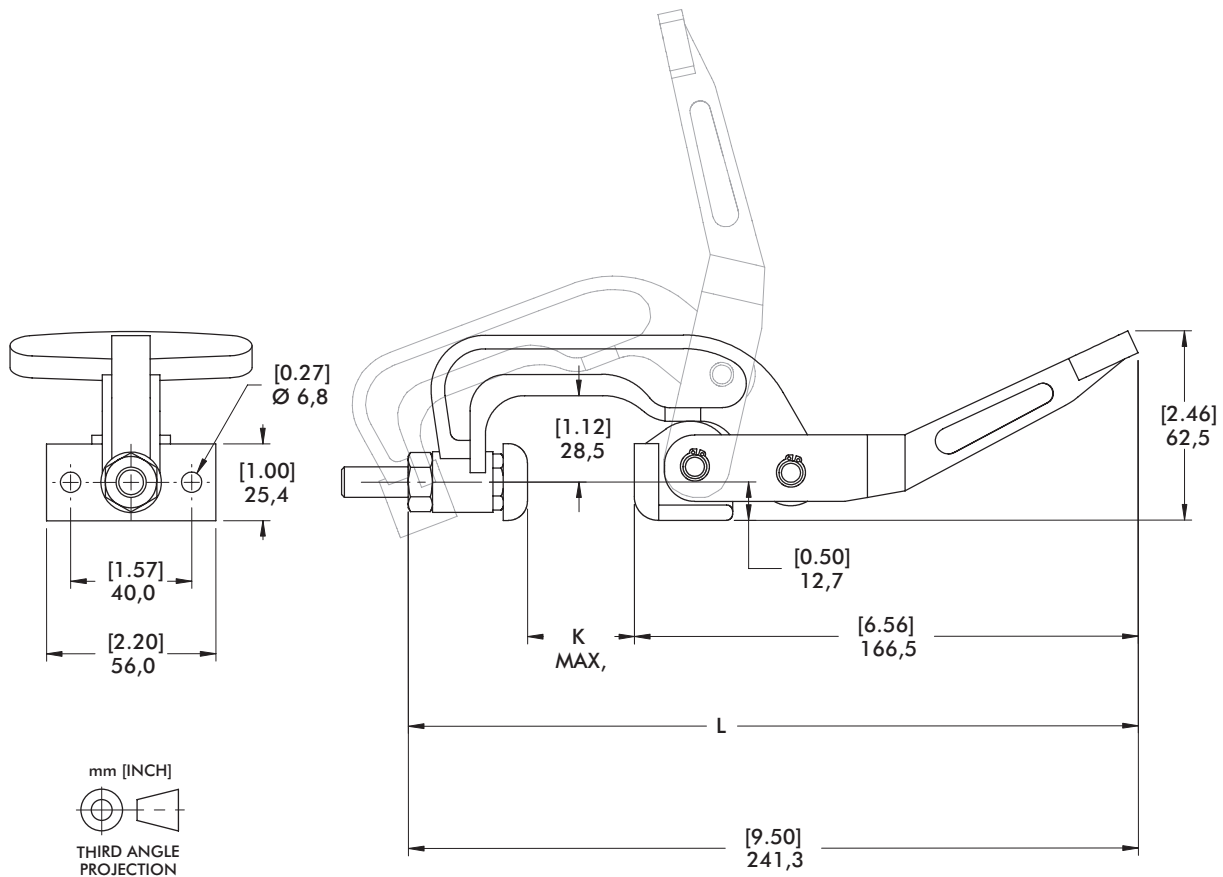
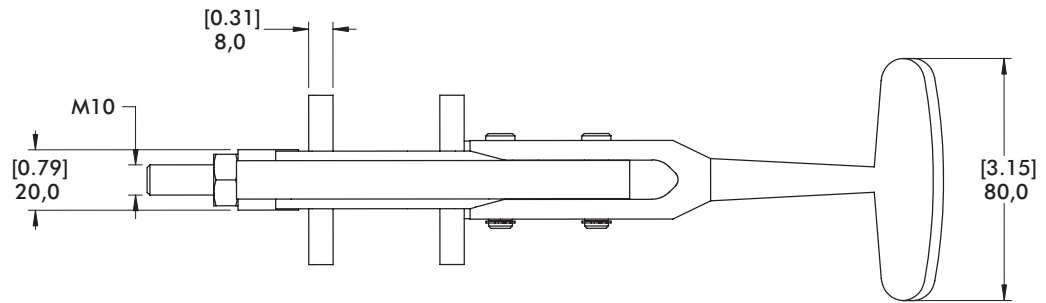
Model	Max. Holding Capacity	Weight	EF:AF	Drawing Movement	L	K	Keeper Plate (included)	Tapered Bolt Assembly (included)
353-35	[2800 lbf] 12460 N	[2.10lb] 0,95kg	23:1	12 [0.47]	[9.50] 241,5	[1.38] 35	353004	353908
353-65	[2100 lbf] 9350 N	[2.30lb] 1,04kg	27:1		[10.69] 271,5	[2.56] 65		

EF = Exerting Force, AF = Applied Force

Series 353 Standard Clamp Dimensions

353-35

353-65



mm [INCH]
THIRD ANGLE PROJECTION