

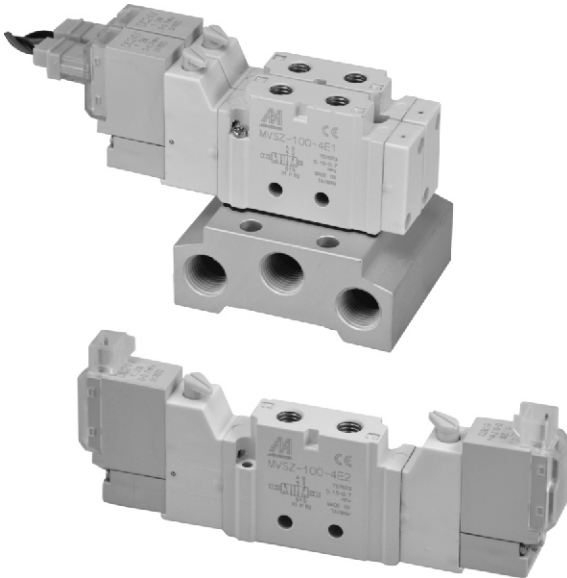
MVSZ-100 series

SOLENOID VALVE



mindman

Specification



Model	4E1	4E2
Bore No.	M5	
Port size	M5×0.8	
No. of port	5	
No. of position	2	
Medium	Air	
Operating pressure range	0.15~0.7 MPa	
Proof pressure	1 MPa	
Effective orifice	0.26 Cv	
Response time	17 ms	
Ambient temperature	+5~+50℃	
Voltage	AC110V, AC220V(50/60)Hz, DC6/12/24V	
Power consumption	AC=1.6 / 2.5VA, DC=1.2W (LED indicator)	
Available voltage range	±10%	
Insulation class	B class	
Weight	40 g	53 g

Order example

MVSZ - 100 - 4E1 - AC110 - LJ1

MODEL

BODY WIDTH

VOLTAGE

AC110V(50/60)Hz
AC220V(50/60)Hz
DC6V
DC12V
DC24V

PLUG TYPE

LJ : Plug on side
(※1)



LR : Plug on side
(※2)



WIRE LENGTH

Blank : 500mm
1 : 1000mm
2 : 2000mm
3 : 3000mm

4: 4way

E1: Single Solenoid
E2: Double Solenoid

SR : Plug on top (※2)



(※1): Connector with flying leads JPC type.

(※2): Connector with flying leads RMH type. (Original)

Order example of manifold

MVSZ - 100 - 5B3 - G

MODEL

MANIFOLD

MANIFOLD NUMBER
2, 3, 4...

PORT THREAD
Blank: Rc thread
G: G thread
NPT: NPT thread

Order example of wire

※Use the same wire with MVDY.

MVDY - 100 - WA2J2

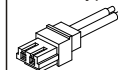
MODEL

VOLTAGE

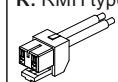
A2: AC220V(50/60)Hz
A1: AC110V(50/60)Hz
D: DC24V/12V/6V

WIRE

J: JPC type



R: RMH type



WIRE LENGTH

Blank : 500mm
1 : 1000mm
2 : 2000mm
3 : 3000mm



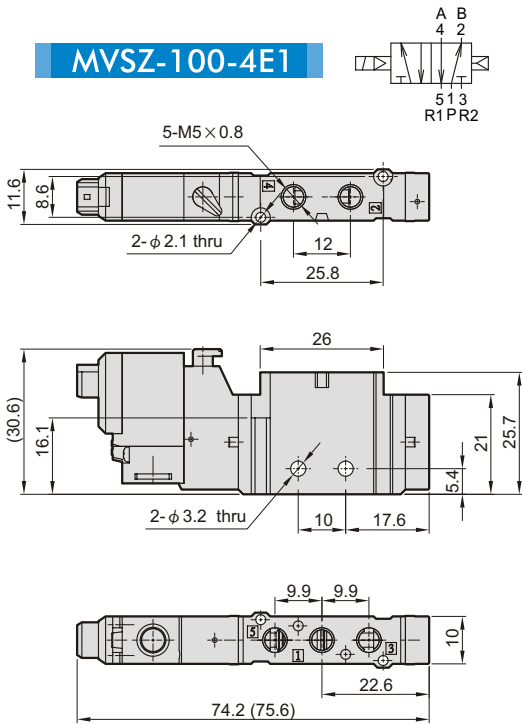
mindman

MVSZ-100 Dimensions / Manifold

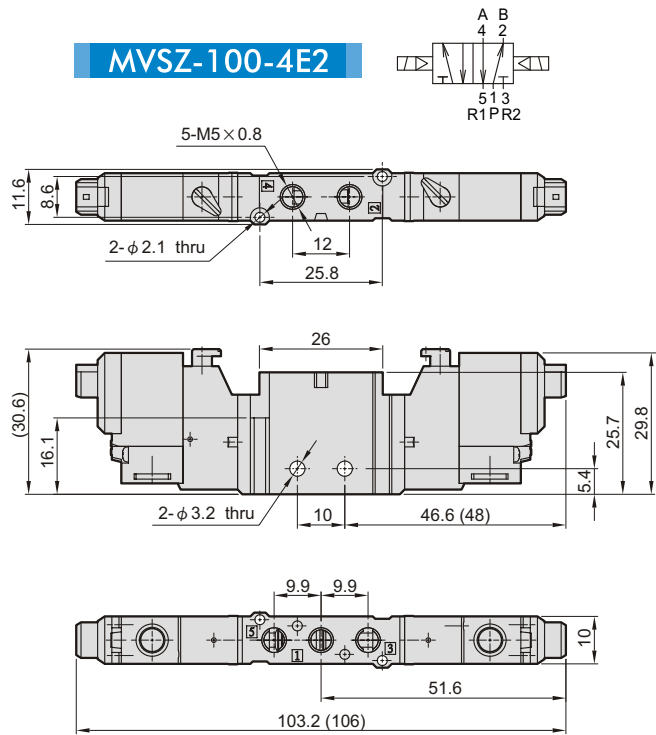
SOLENOID VALVE



MVSZ-100-4E1

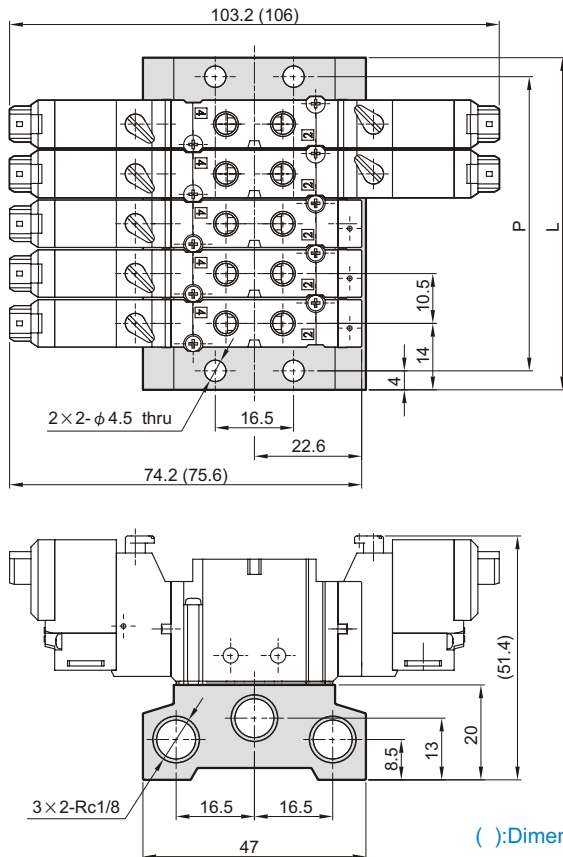


MVSZ-100-4E2



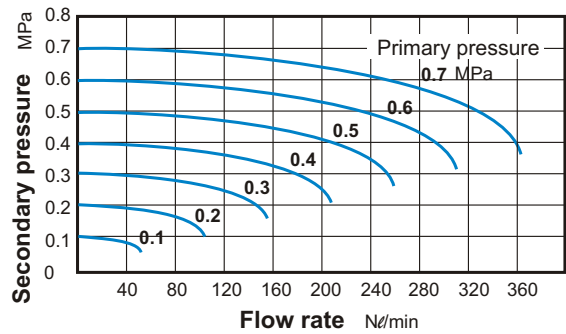
Manifold of solenoid valve

MVSZ-100-5B*



No. of stations (N)	P	L
2	30.5	38.5
3	41	49
4	51.5	59.5
5	62	70
6	72.5	80.5
7	83	91
8	93.5	101.5
9	104	112
10	114.5	122.5

Flow features



(): Dimension for LJ plug type.

