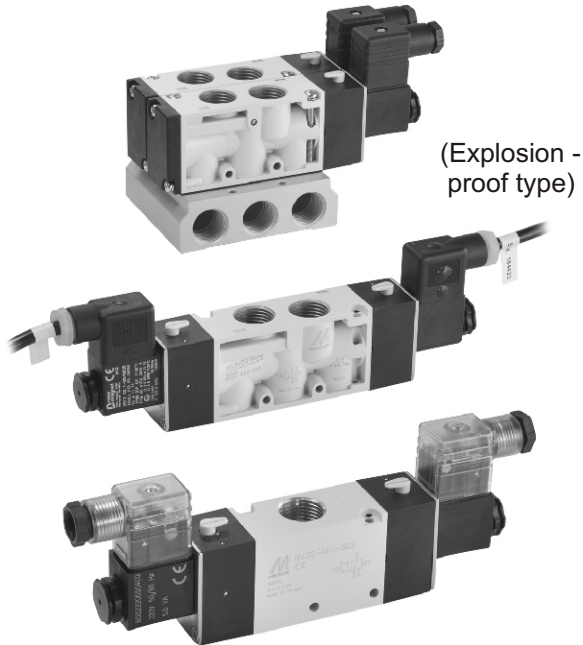


MVSC-460 series

SOLENOID VALVE



Specification

Model	3E1	3E2	4E1	4E2	4E2C.P.R
Bore No.	15A				
Port size	G1/2				
No. of port	3		5		
No. of position	2		2		3
Medium	Air				
Operating pressure range	0.2~0.7 MPa			0.3~0.7 MPa	
Operating pressure (LP)	0~0.7 MPa				
External pilot pressure (LP)	0.2~0.7 MPa			0.3~0.7 MPa	
Proof pressure	1.05 MPa				
Effective orifice	50 mm ²			30 mm ²	
Response time	50 ms				
Ambient temperature	-5~+50°C (No freezing)				
Voltage	AC110V, 220V (50/60)Hz, DC24V				
Power consumption	AC=4.8/4.4VA, 6/4.9VA, DC=2W				
Available voltage range	±10%				
Insulation class	F class				
Weight	353 g	437 g	330 g	452 g	634 g

Order example of valve

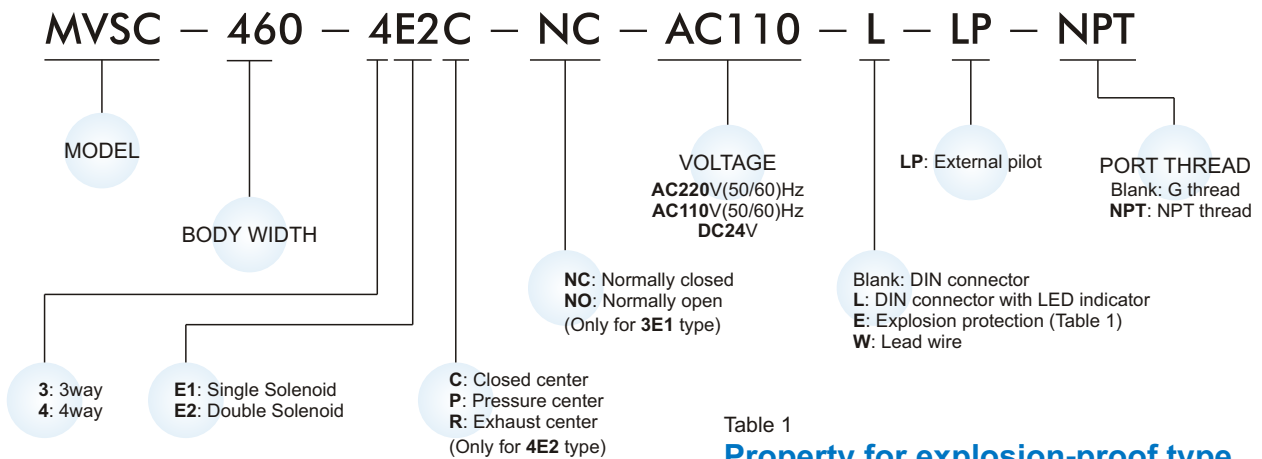
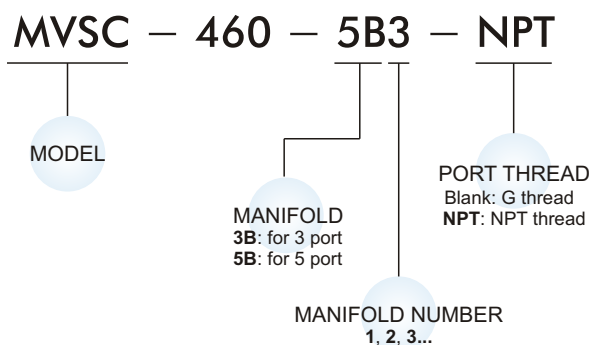


Table 1

Property for explosion-proof type

Anti-explosion class	EEx m II T4
Voltage	AC110V, 220V, (50/60)Hz, DC24V.
Power consumption	AC=4.4VA DC=5W
Available voltage range	±10%
Insulation class	F class

Order example of manifold

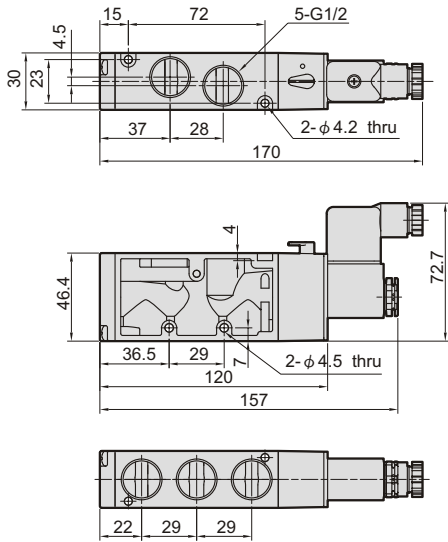
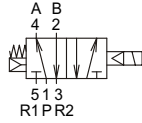


MVSC-460 Dimensions

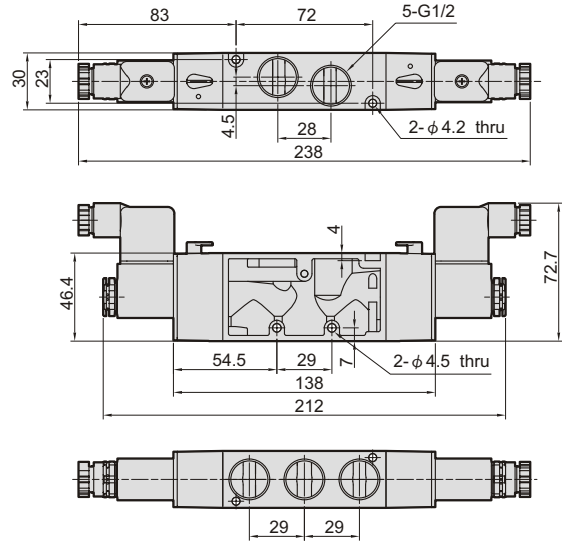
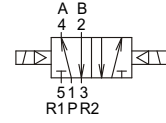
SOLENOID VALVE



MVSC-460-4E1



MVSC-460-4E2

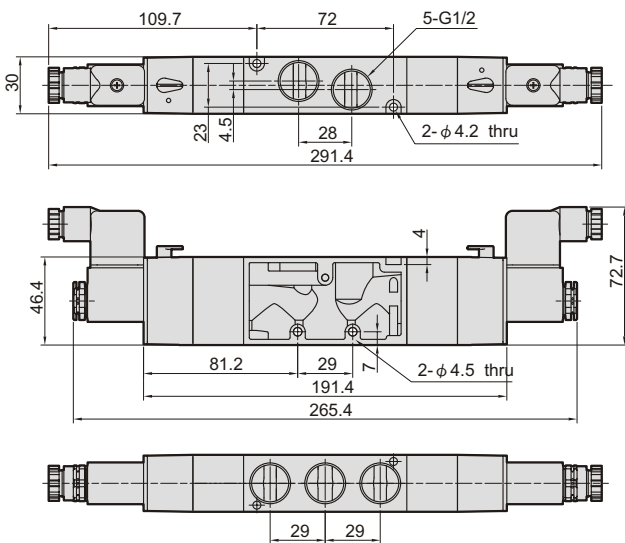
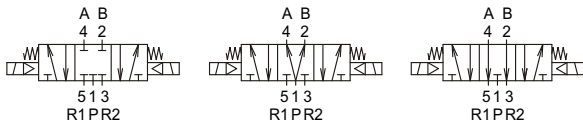


MVSC-460-4E2C.PR

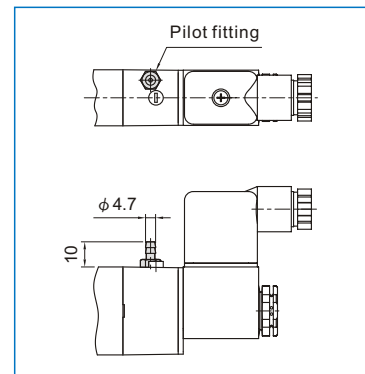
MVSC-460-4E2C

MVSC-460-4E2P

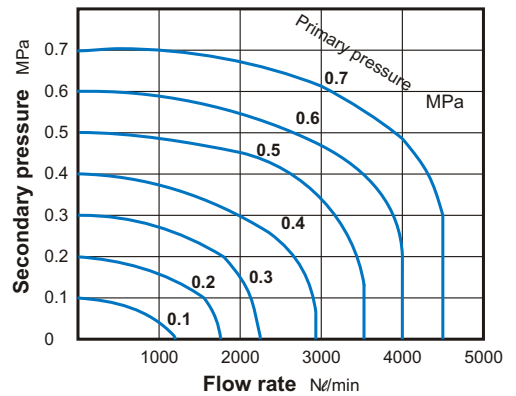
MVSC-460-4E2R



LP



Flow features

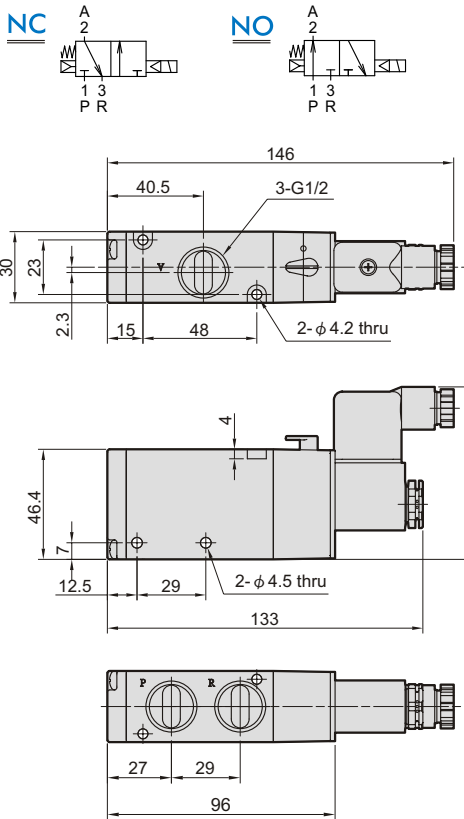


MVSC-460 Dimensions

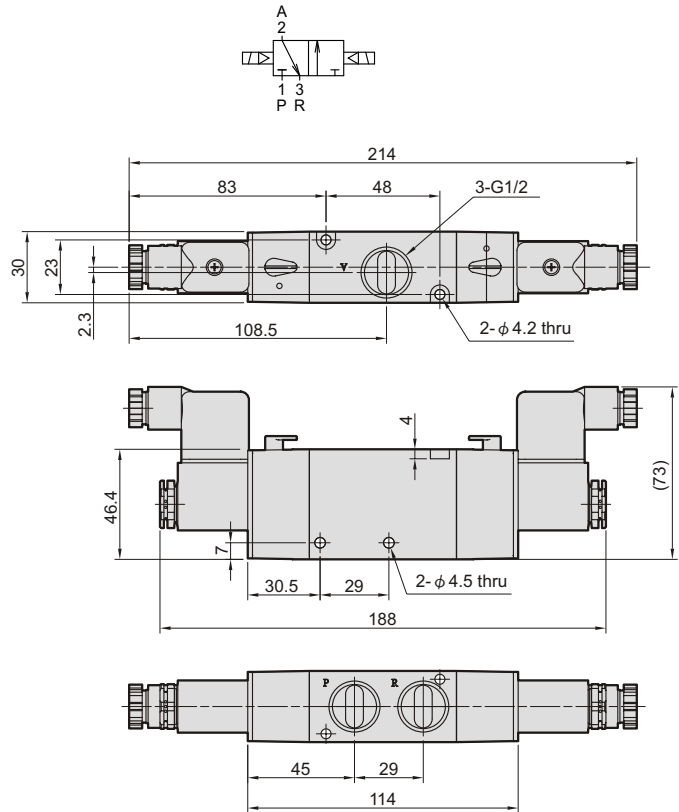
SOLENOID VALVE



MVSC-460-3E1-NC/NO



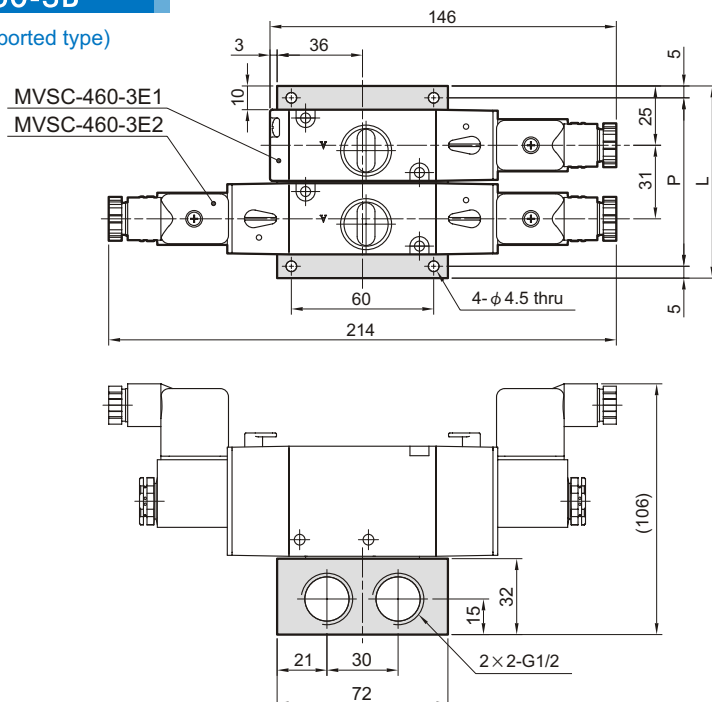
MVSC-460-3E2



Manifold of solenoid valve

MVSC-460-3B*

3way (for body ported type)



No. of stations	P	L
2	71	81
3	102	112
4	133	143
5	164	174
6	195	205
7	226	236
8	257	267
9	288	298
10	319	329



MVSC-460 Manifold

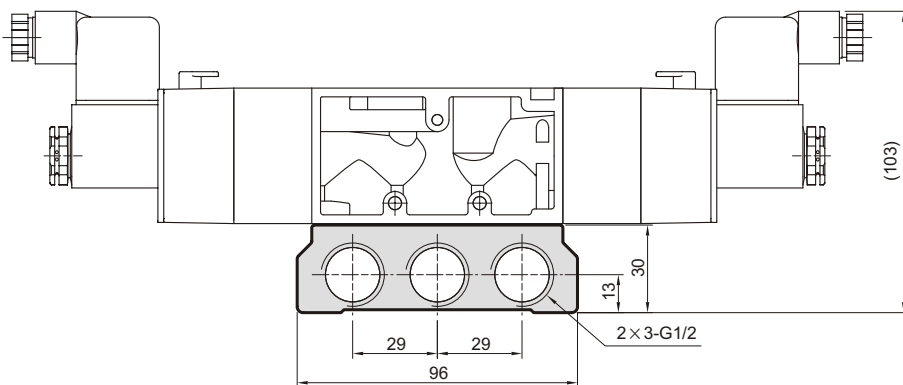
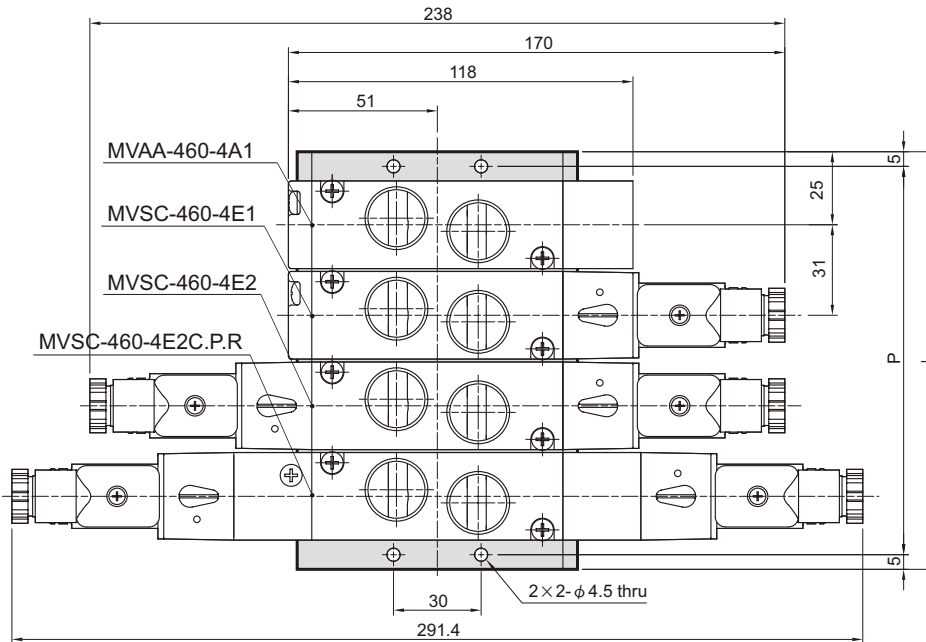
SOLENOID VALVE



mindman

MVSC-460-5B*

4way (for body ported type)



No. of stations	P	L
2	71	81
3	102	112
4	133	143
5	164	174
6	195	205
7	226	236
8	257	267
9	288	298
10	319	329



mindman