

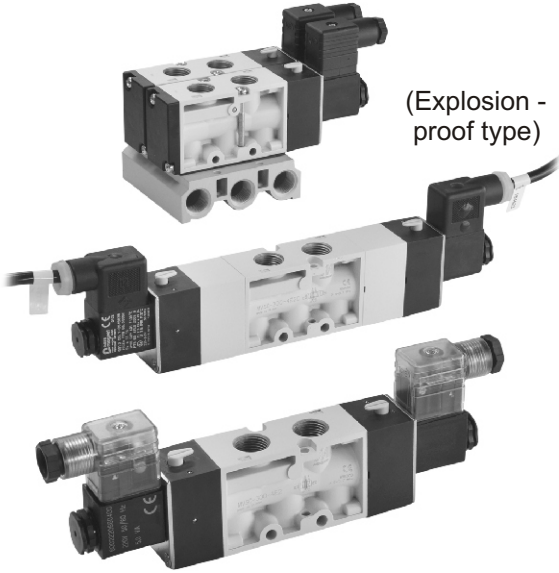
MVSC-300 series

SOLENOID VALVE



mindman

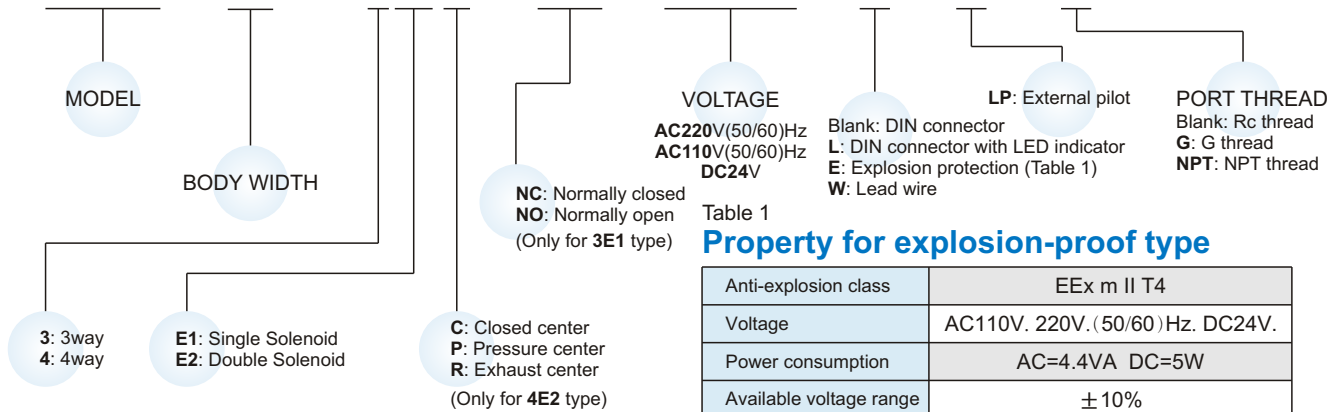
Specification



Model	3E1	3E2	4E1	4E2	4E2C.P.R
Bore No.	10A				
Port size	Rc3/8				
No. of port	3		5		
No. of position	2			3	
Medium	Air				
Operating pressure range	0.2~0.7 MPa			0.3~0.7 MPa	
Operating pressure (LP)	0~0.7 MPa				
External pilot pressure (LP)	0.2~0.7 MPa			0.3~0.7 MPa	
Proof pressure	1 MPa				
Effective orifice	30 mm ²	35 mm ²	25 mm ²		
Ambient temperature	-5~+50°C (No freezing)				
Response time	50 ms				
Voltage	AC110V, 220V (50/60)Hz, DC24V				
Power consumption	AC=4.8/4.4VA, 6/4.9VA, DC=2W				
Available voltage range	±10%				
Insulation class	F class				
Weight	350 g	439 g	293 g	387 g	565 g

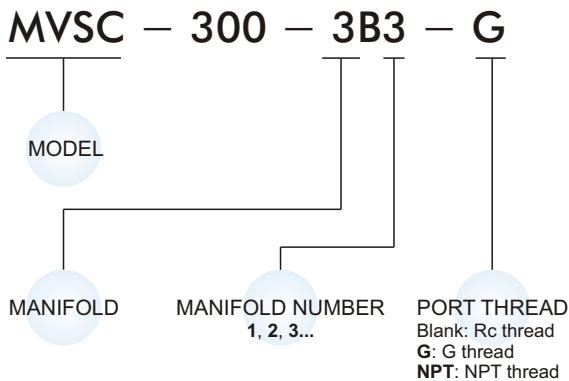
Order example of valve

MVSC - 300 - 4E2C - NC - AC110 - L - LP - G

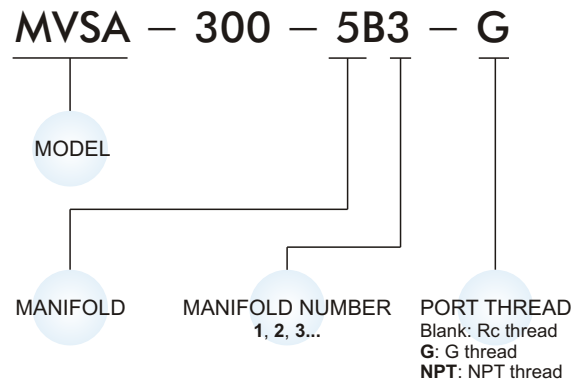


Order example of manifold

3 way



4 way



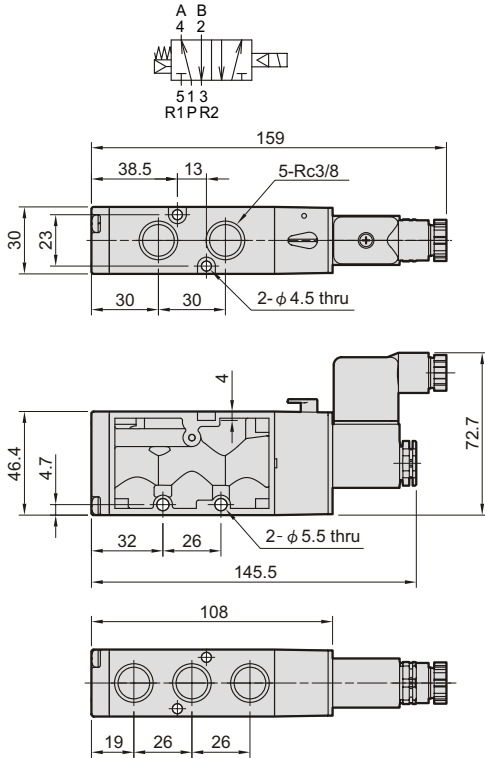
mindman

MVSC-300 Dimensions

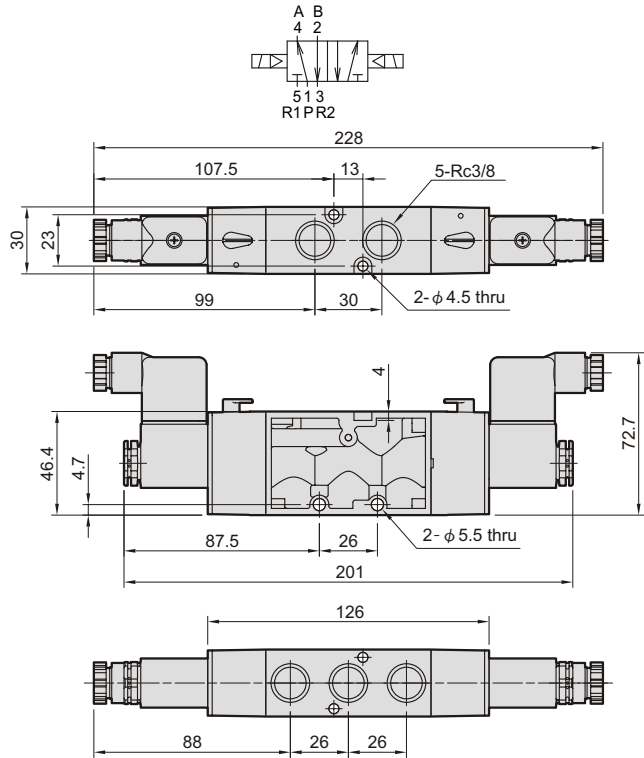
SOLENOID VALVE



MVSC-300-4E1

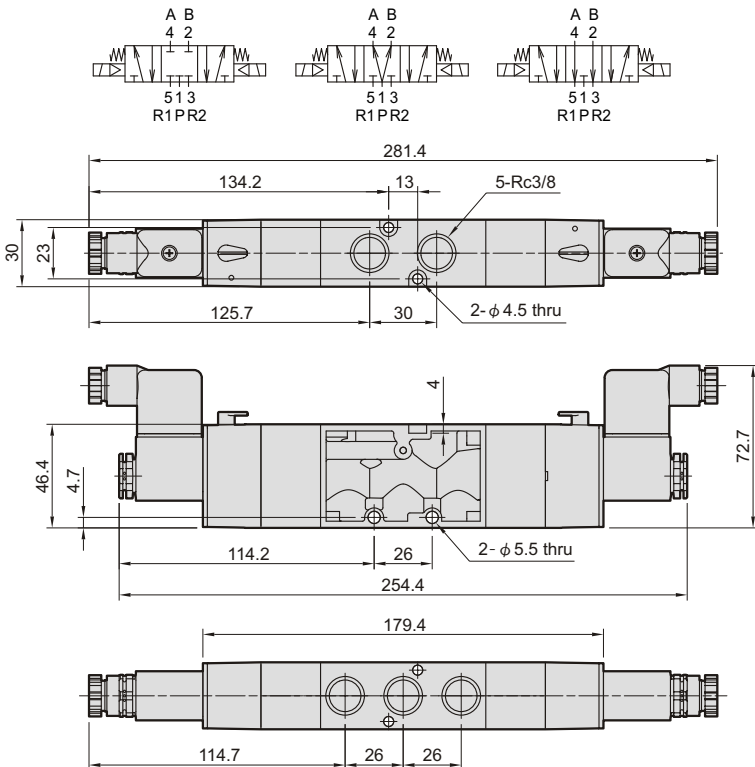


MVSC-300-4E2

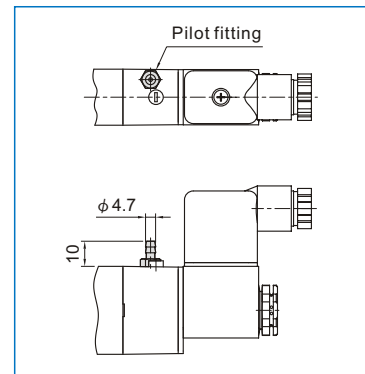


MVSC-300-4E2C.PR

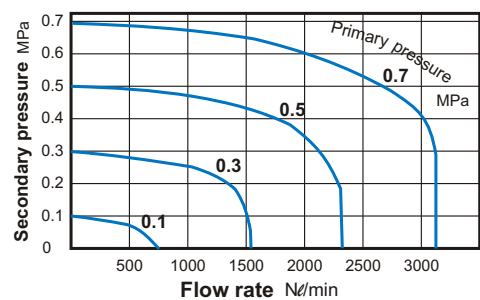
MVSC-300-4E2C MVSC-300-4E2P MVSC-300-4E2R



LP



Flow features

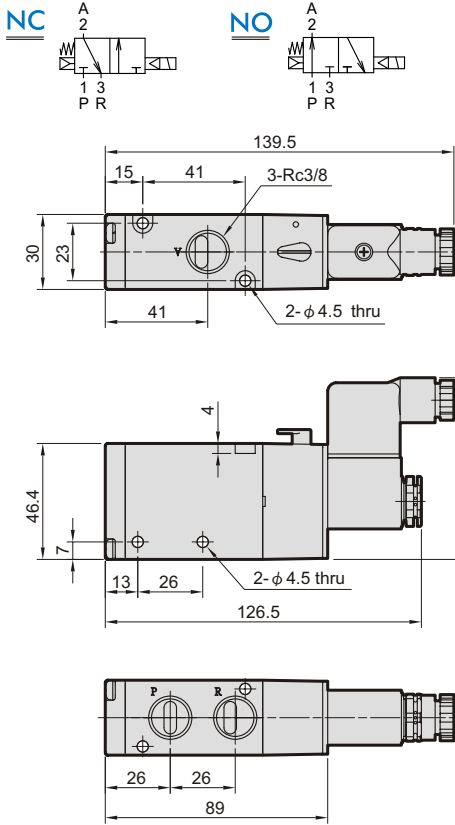


MVSC-300 Dimensions

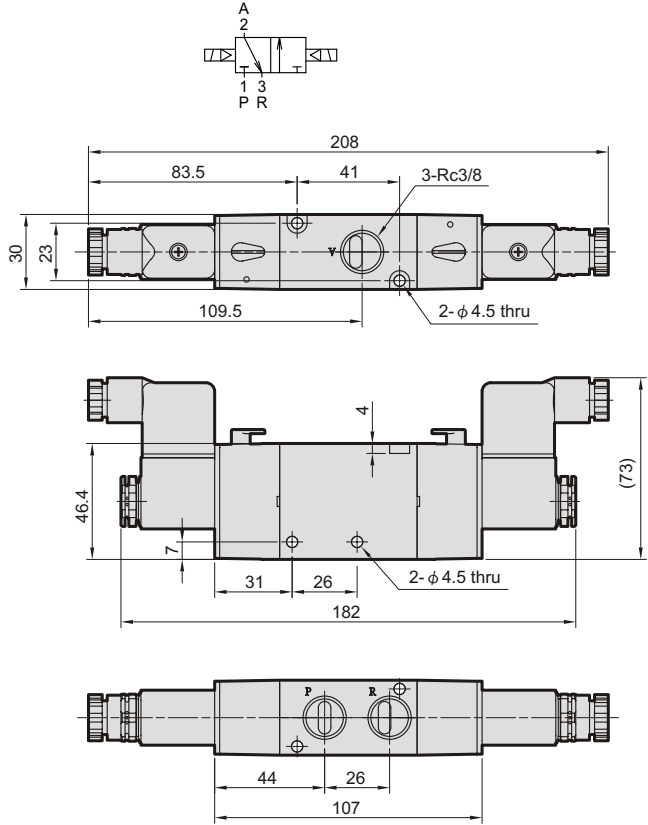
SOLENOID VALVE



MVSC-300-3E1-NC/NO



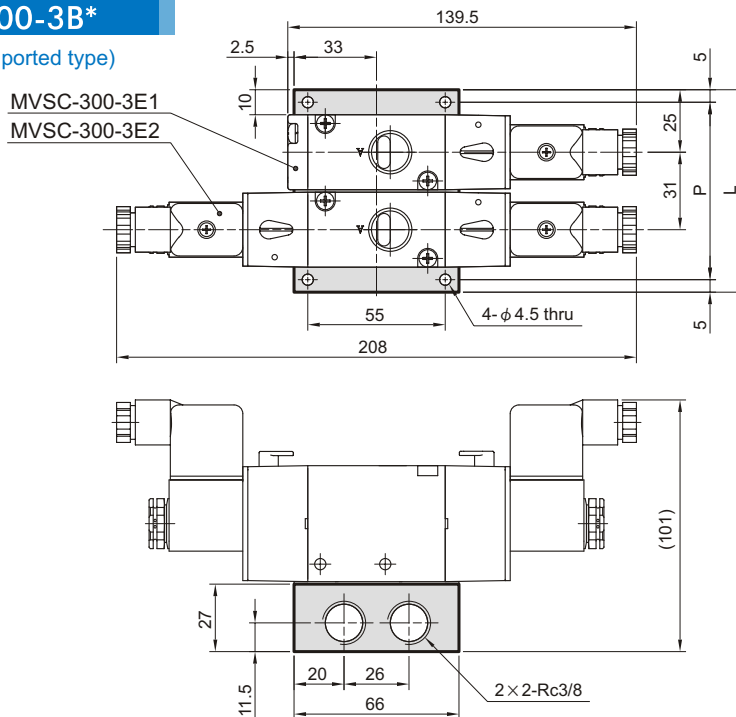
MVSC-300-3E2



Manifold of solenoid valve

MVSC-300-3B*

3way (for body ported type)



No. of stations	P	L
2	71	81
3	102	112
4	133	143
5	164	174
6	195	205
7	226	236
8	257	267
9	288	298
10	319	329



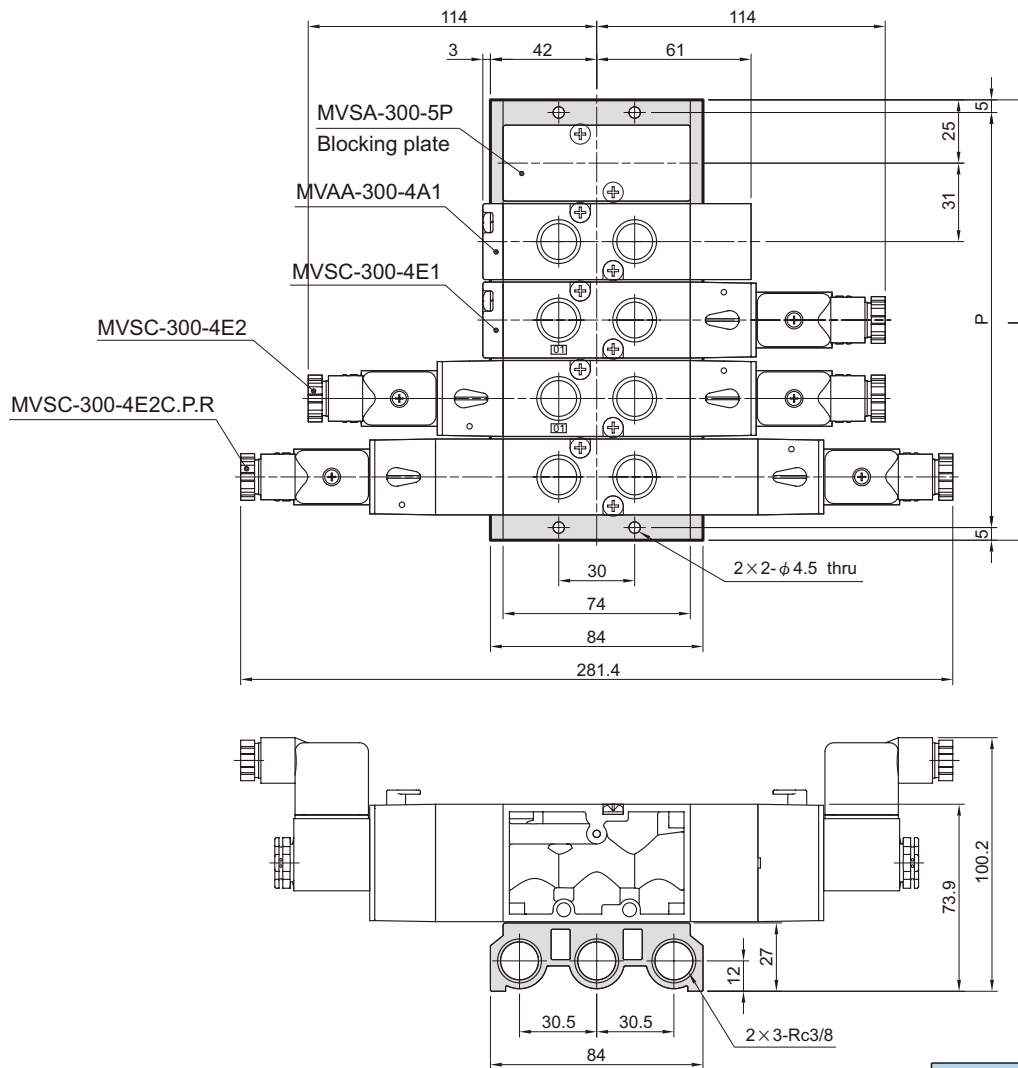
MVSC-300 Manifold

SOLENOID VALVE



MVSA-300-5B*

4way (for body ported type)



No. of stations	P	L
2	71	81
3	102	112
4	133	143
5	164	174
6	195	205
7	226	236
8	257	267
9	288	298
10	319	329

