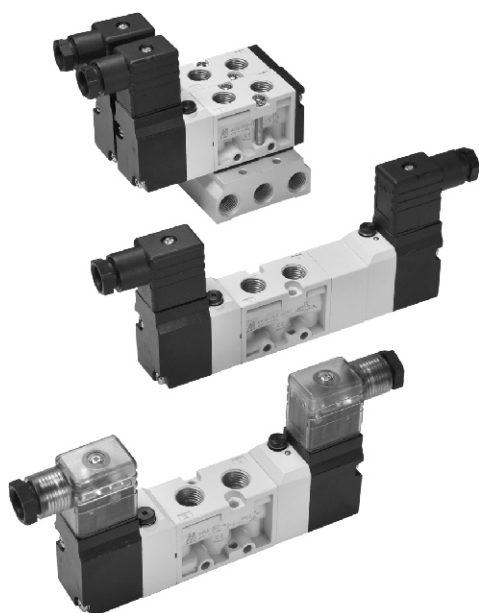


MVSA-260 series

SOLENOID VALVE

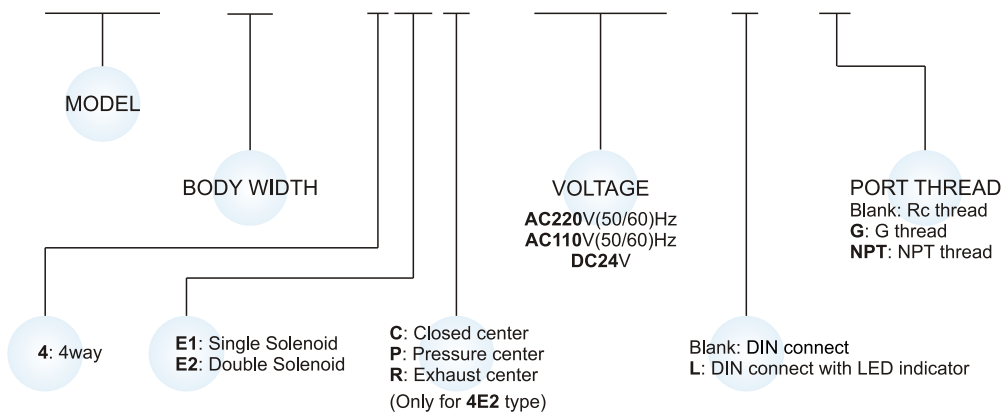


Specification

Model	4E1	4E2	4E2C.P.R
Bore No.	8A		
Port size	Rc1/4		
No. of port	5		
No. of position	2		3
Medium	Air		
Operating pressure range	0.2~0.7 MPa		0.3~0.7 MPa
Proof pressure	1 MPa		
Effective orifice	18 mm ²		16 mm ²
Response time	40 ms		
Ambient temperature	-5~+50°C (No freezing)		
Voltage	AC110V, 220V (50/60)Hz, DC24V		
Power consumption	AC=3.5VA, DC=3.5W		
Available voltage range	±10%		
Insulation class	B class		
Weight	308 g	475 g	592 g

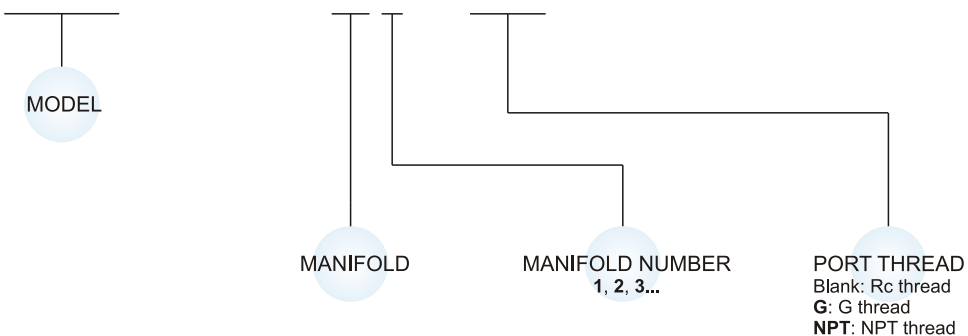
Order example of valve

MVSA - 260 - 4E2C - AC110 - L - G



Order example of manifold

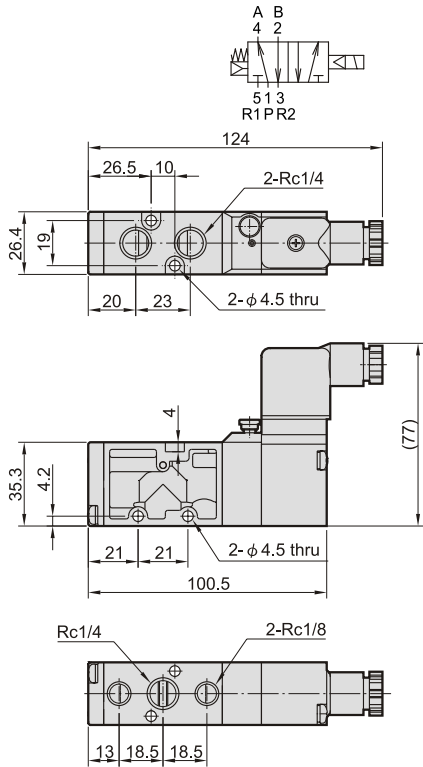
MVSA - 260 - 5B3 - G



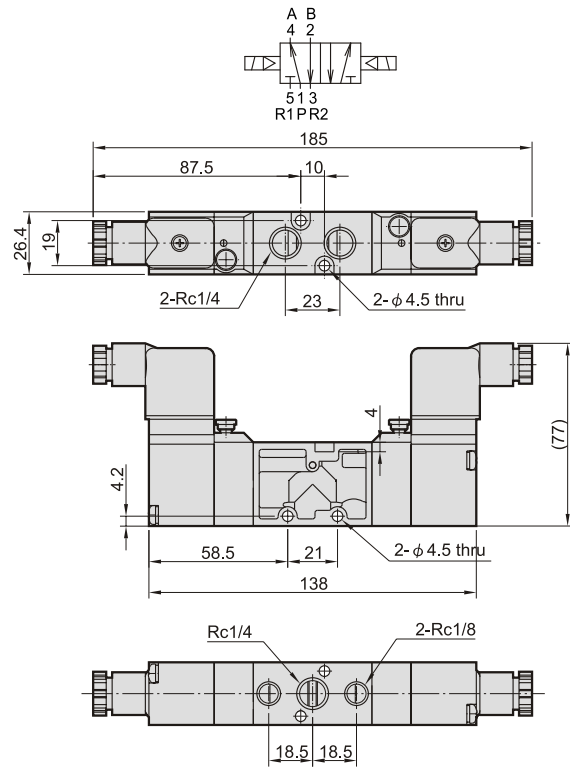
MVSA-260 Dimensions

SOLENOID VALVE

MVSA-260-4E1



MVSA-260-4E2

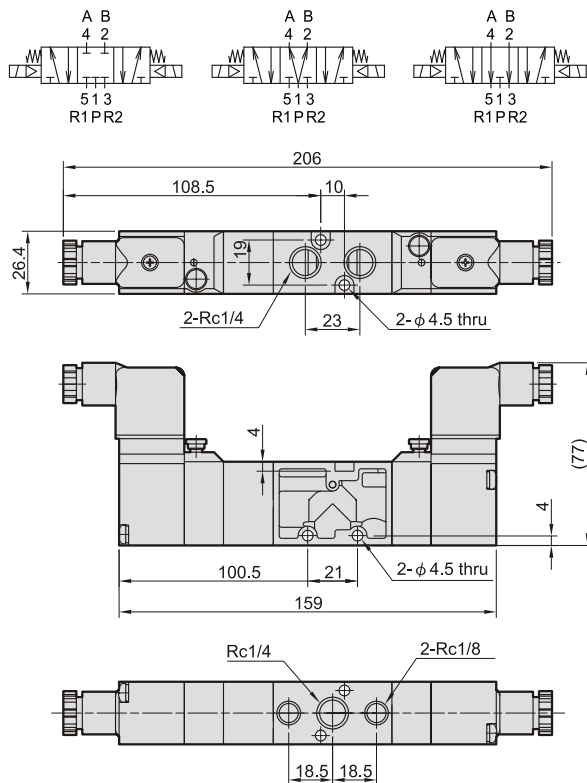


MVSA-260-4E2C.P.R

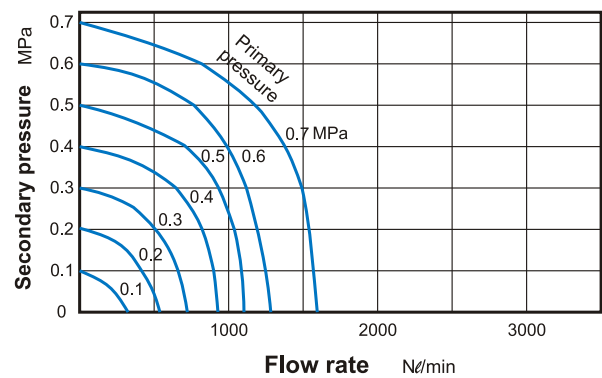
MVSA-260-4E2C

MVSA-260-4E2P

MVSA-260-4E2R



Flow features



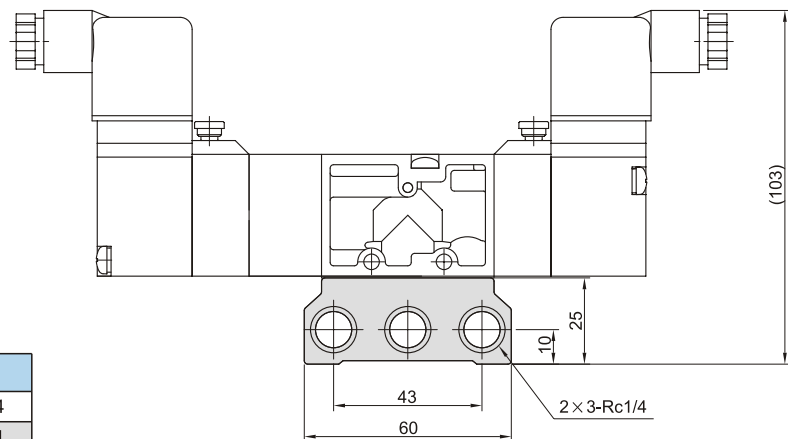
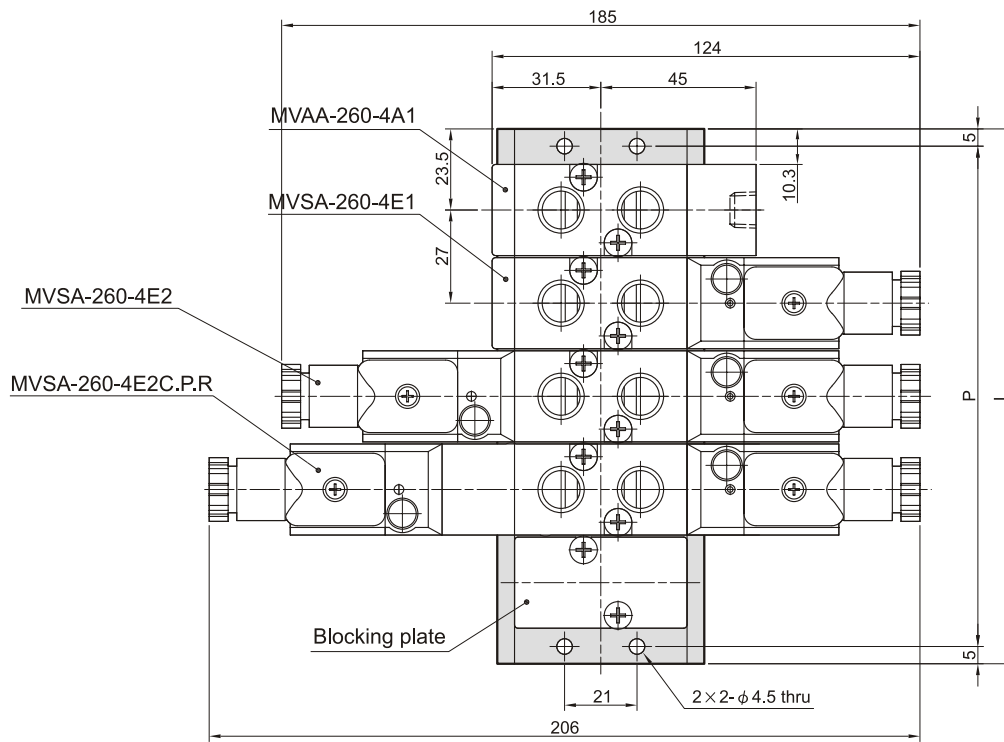
MVSA-260 Manifold

SOLENOID VALVE



Mindman

MVSA-260-5B*



No. of stations	P	L
2	64	74
3	91	101
4	118	128
5	145	155
6	172	182
7	199	209
8	226	236
9	253	263
10	280	290



Mindman