

Series 425, 435 Product Overview

Features:

- Two way trigger release allows for fast and easy opening of clamp

Applications:

- Assembly
- Welding
- Gluing, soldering

Also Available:

See page 7.1 for accessories

425 ⓘ

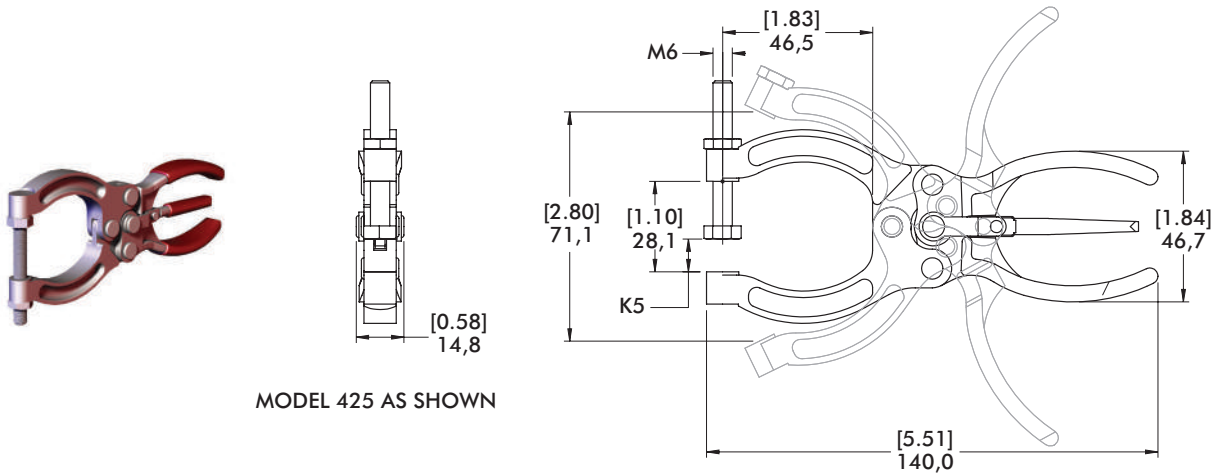
435



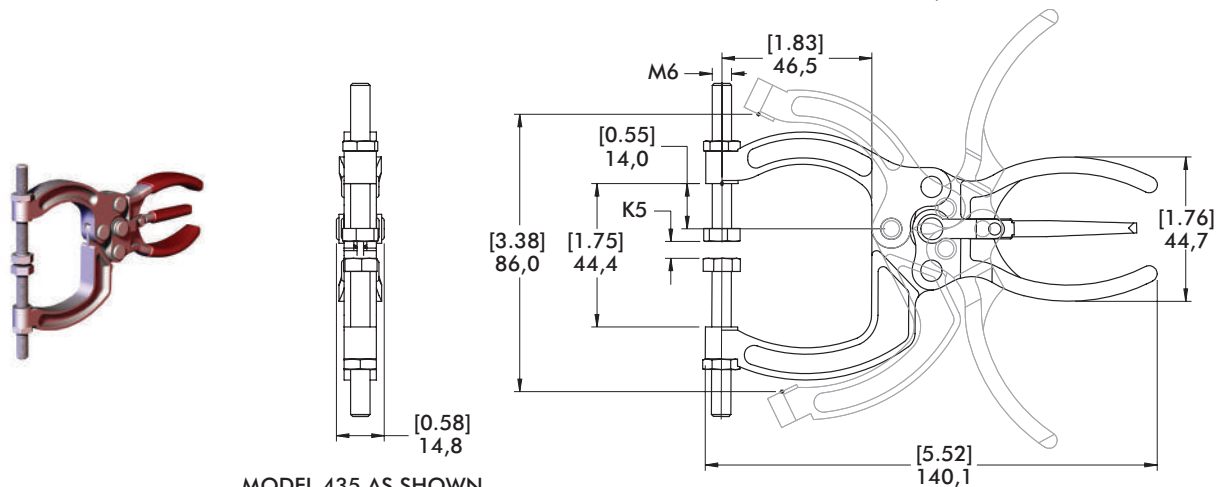
Series 425, 435 Technical Information, Holding Capacities, Standard Clamp Dimensions

Model	Max. Holding Capacity	Weight	(K5) Maximum Clamping Thickness	Spindle (Supplied)
425 ⓘ	2220 N [500 lbf]	0,14kg [0.31lb]	24 [0.94]	205203-M
435		0,23kg [0.50lb]	36,3 [1.43]	(2X) 205203-M

ⓘ This item is available upon request



MODEL 425 AS SHOWN



MODEL 435 AS SHOWN

