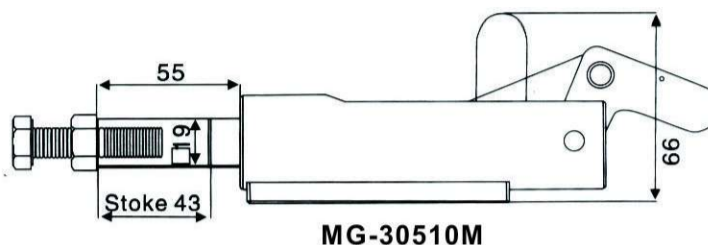
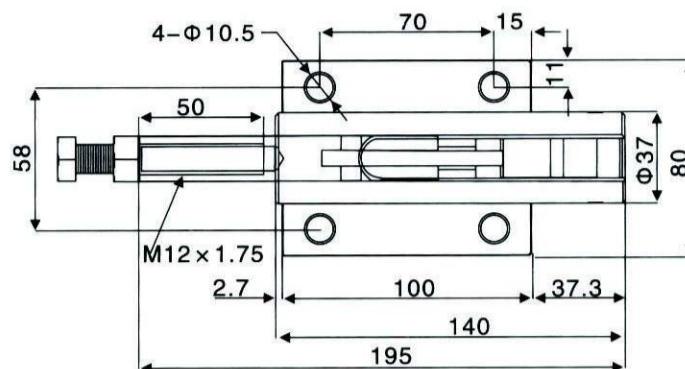
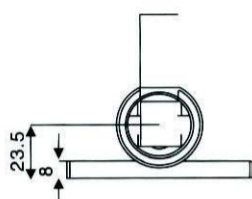


MG-30510M

WEIGHT(自重) : 1750g
 HOLDING CAPACITY(夾持力) : 1100kg
 SPINDLE SUPPLIED
 (壓頭螺絲型號) : SA-125017
 HANDLE OPENS(手柄開啟角度) : 105°
 PLUNGER STROKE(行程) : 43mm



MG-30510M



MG-30510M

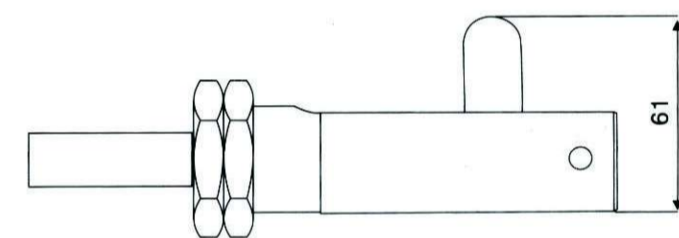
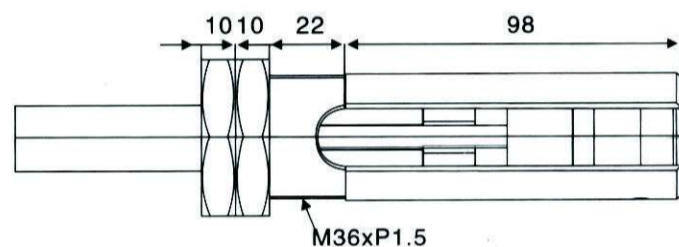
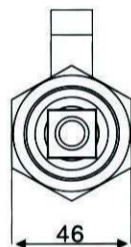
UNIT:m.m.

MG-30511M

WEIGHT(自重) : 1300g
 HOLDING CAPACITY(夾持力) : 1100kg
 SPINDLE SUPPLIED
 (壓頭螺絲型號) : SA-125017
 HANDLE OPENS(手柄開啟角度) : 105°
 PLUNGER STROKE(行程) : 43mm



MG-30511M

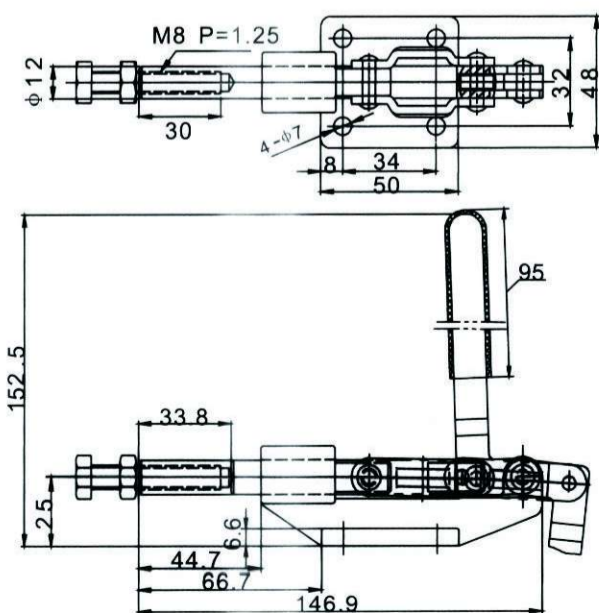


MG-30511M

UNIT:m.m.

MG-305-BM

WEIGHT(自重) : 480g
 HOLDING CAPACITY(夾持力) : 180kg
 SPINDLE SUPPLIED
 (壓頭螺絲型號) : SA-085012
 HANDLE OPENS(手柄開啟角度) : 185°
 PLUNGER STROKE(行程) : 33.8mm



MG-305-BM

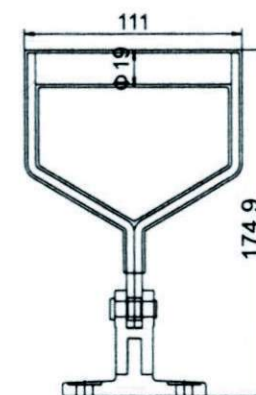
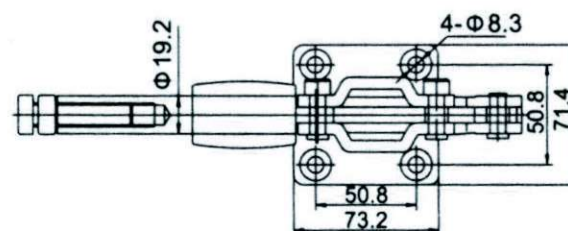
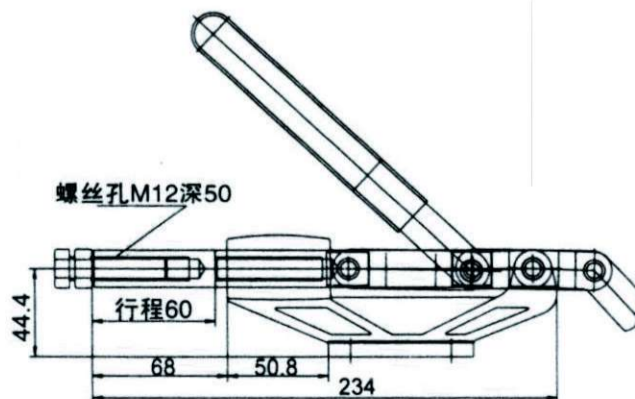
UNIT:m.m.

MG-304-HMY

WEIGHT(自重) : 1600g
 HOLDING CAPACITY(夾持力) : 680kg
 SPINDLE SUPPLIED
 (壓頭螺絲型號) : SA-125017
 HANDLE OPENS(手柄開啟角度) : 180°
 PLUNGER STROKE(行程) : 60mm



MG-304-HMY



UNIT:m.m.