

MG-36060

*Plunger locks in Extended Position Only.

手柄下壓為鎖緊狀態。

WEIGHT(自重) : 690g

HOLDING CAPACITY(夾持力) : 300kg

SPINDLE SUPPLIED

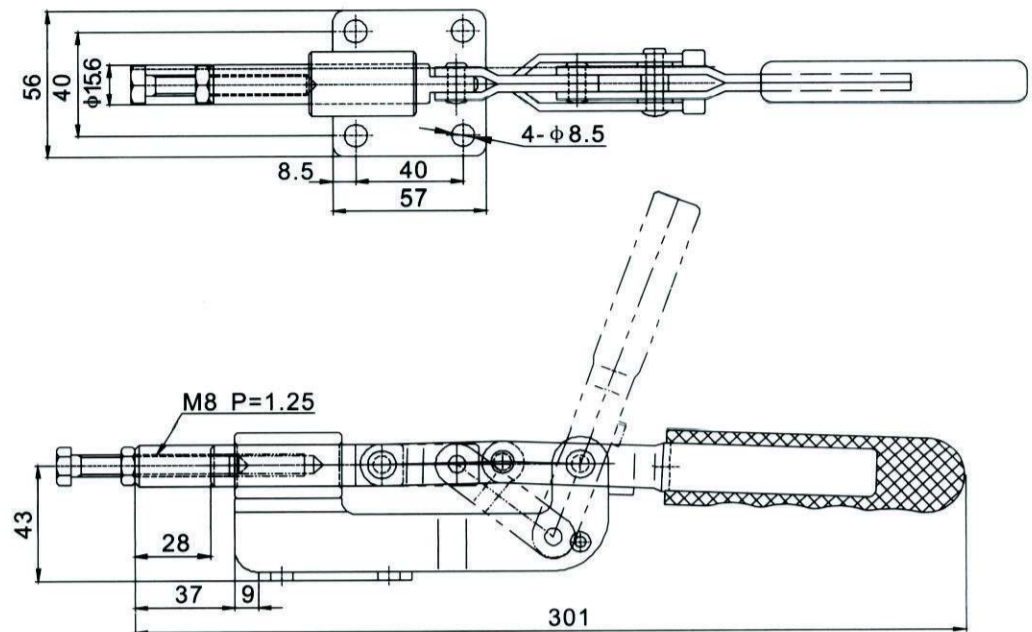
(壓頭螺絲型號) : SA-083012

HANDLE OPENS(手柄開啟角度) : 76°

PLUNGER STROKE(行程) : 28mm



MG-36060



UNIT:m.m.

MG-303-EM AND MG-303-EMK

*MG-303-EMK has a key way to keep the Plunger from rotating.(MG-303-EMK導筒上裝有一個鍵，防止頂軸轉動)

防止頂軸轉動)

WEIGHT(自重) : 965g

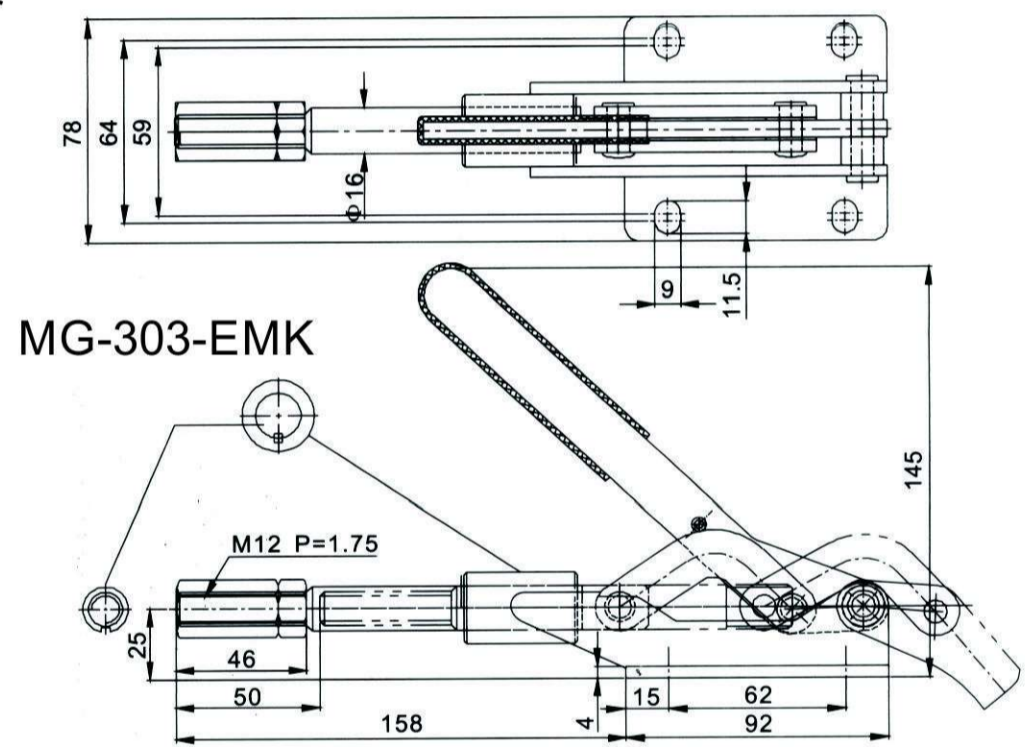
HOLDING CAPACITY(夾持力) : 454kg

HANDLE OPENS(手柄開啟角度) : 190°

PLUNGER STROKE(行程) : 50mm



MG-303-EM



MG-303-EMK

UNIT:m.m.

MG-30513

*Ductile iron base.(底座為鑄鋼)

WEIGHT(自重) : 4200g

HOLDING CAPACITY(夾持力) : 1600kg

SPINDLE SUPPLIED

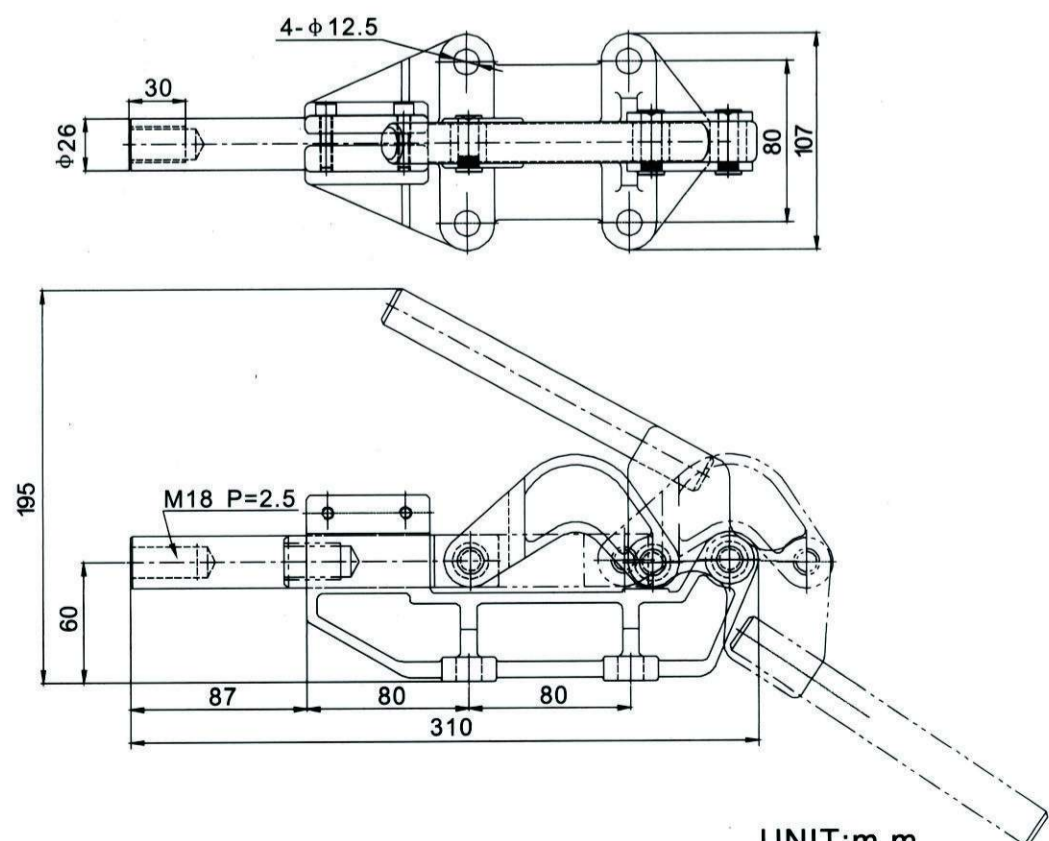
(壓頭螺絲型號) : SA-185025

HANDLE OPENS(手柄開啟角度) : 180°

PLUNGER STROKE(行程) : 76mm



MG-30513



UNIT:m.m.