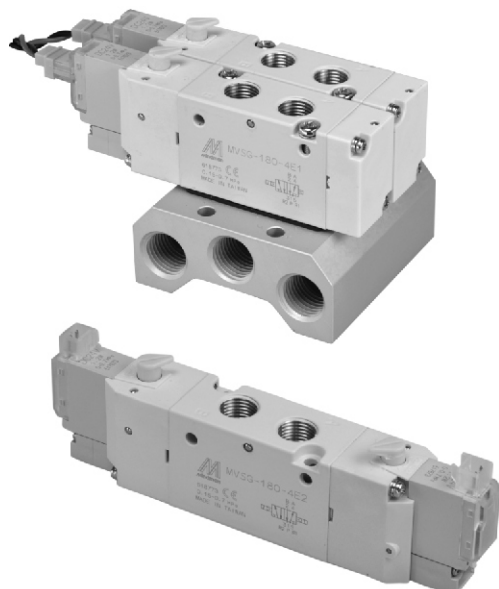


MVSG-180 series

SOLENOID VALVE



mindman

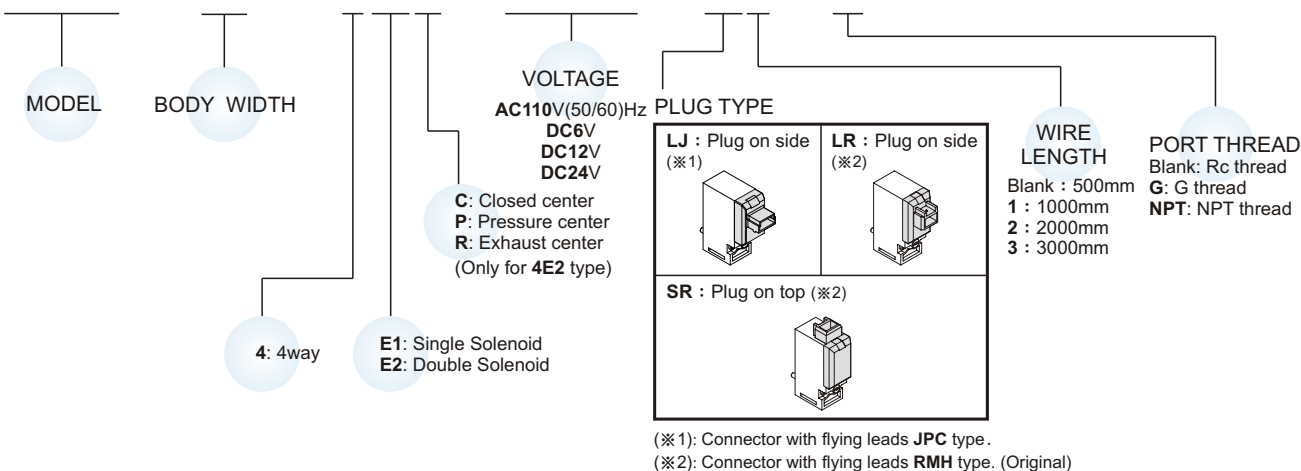


Specification

Model	4E1	4E2	4E2C.P.R
Bore No.	6A		
Port size	Rc1/8		
No. of port	5		
No. of position	2	3	
Medium	Air		
Operating pressure range	0.15~0.7 MPa	0.3~0.7 MPa	
Proof pressure	1 MPa		
Effective orifice	10 mm ²	10 mm ²	
Response time	15 ms	30 ms	
Ambient temperature	+5~+50℃		
Voltage	AC110V (50/60)Hz, DC6/12/24V		
Power consumption	AC=1.6VA, DC=1.2W		
Available voltage range	±10%		
Insulation class	B class		
Weight	74 g	94 g	132 g

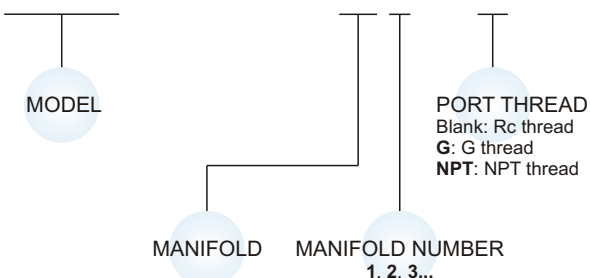
Order example of valve

MVSG - 180 - 4E2C - AC110 - LJ1 - G



Order example of manifold

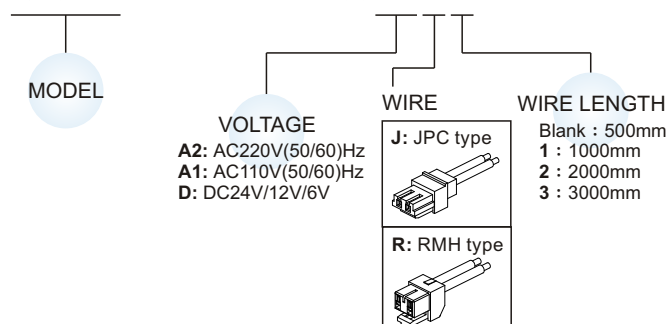
MVSG - 180 - 5B3 - G



Order example of wire

※Use the same wire with MVDY.

MVDY - 100 - WA2J2



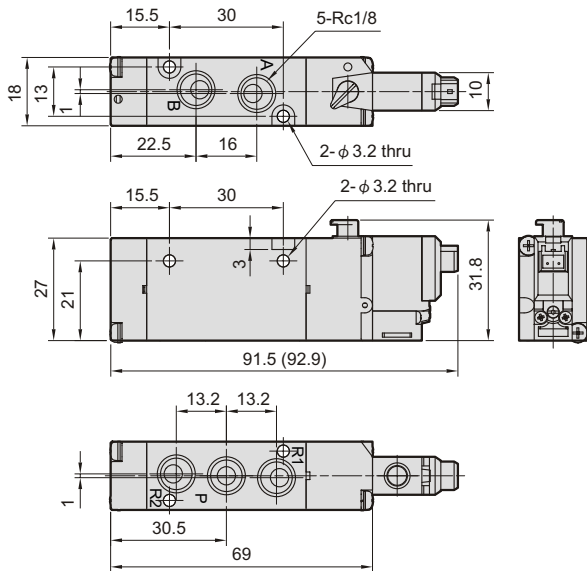
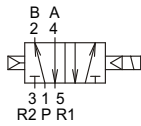
mindman

MVSG-180 Dimensions

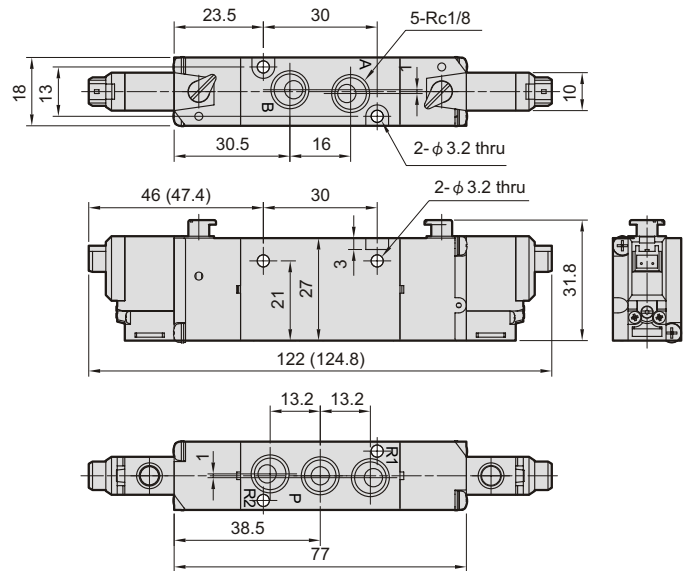
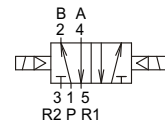
SOLENOID VALVE



MVSG-180-4E1



MVSG-180-4E2

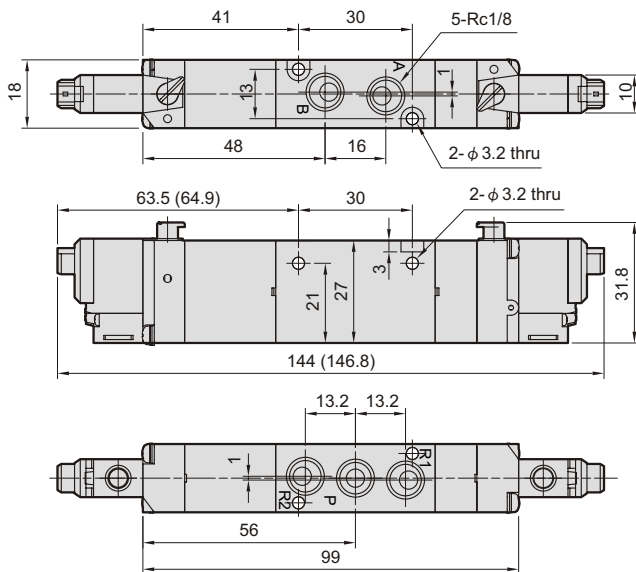
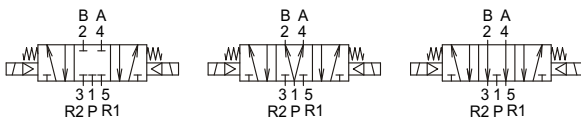


MVSG-180-4E2C.PR

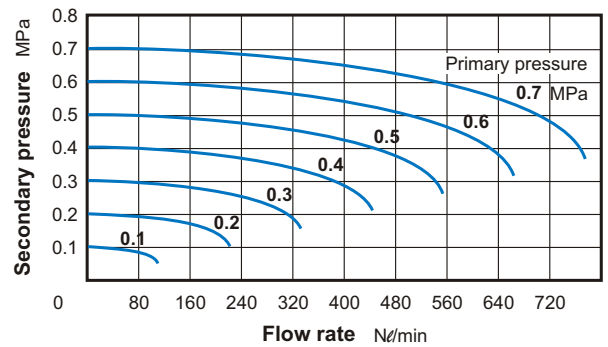
MVSY-188-4E2C

MVSY-188-4E2P

MVSY-188-4E2R



Flow features



() : Dimension for LJ plug type.

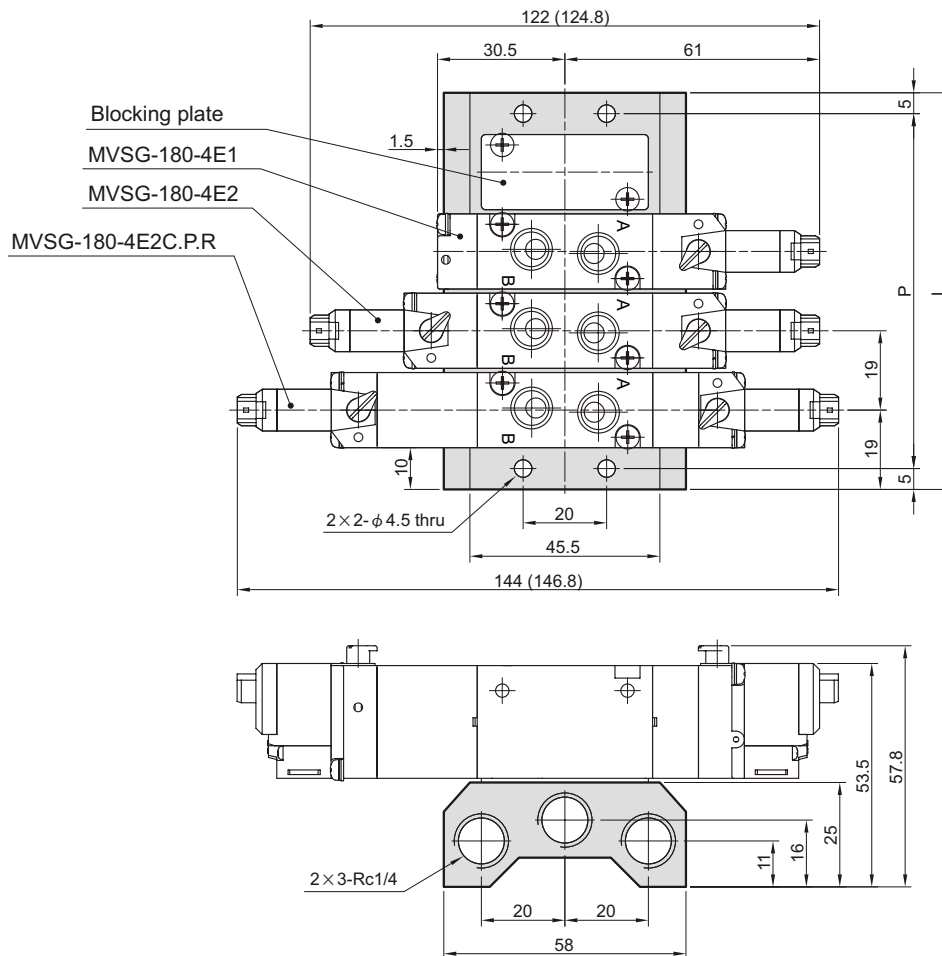


MVSG-180 Manifold

SOLENOID VALVE



MVSG-180-5B*



No. of stations	P	L
2	47	57
3	66	76
4	85	95
5	104	114
6	123	133
7	142	152
8	161	171
9	180	190
10	199	209

():Dimension for LJ plug type.

