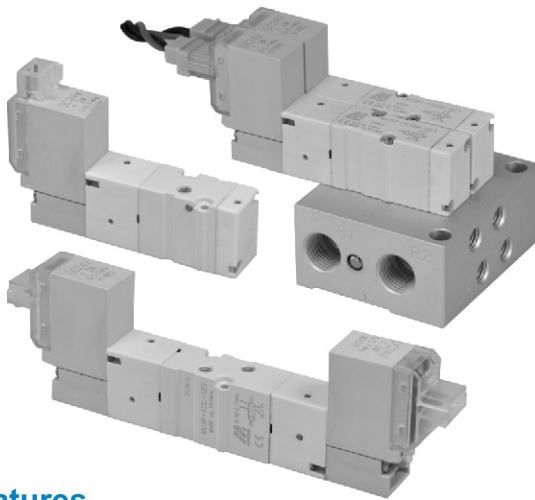


MVSF-100 series

SOLENOID VALVE



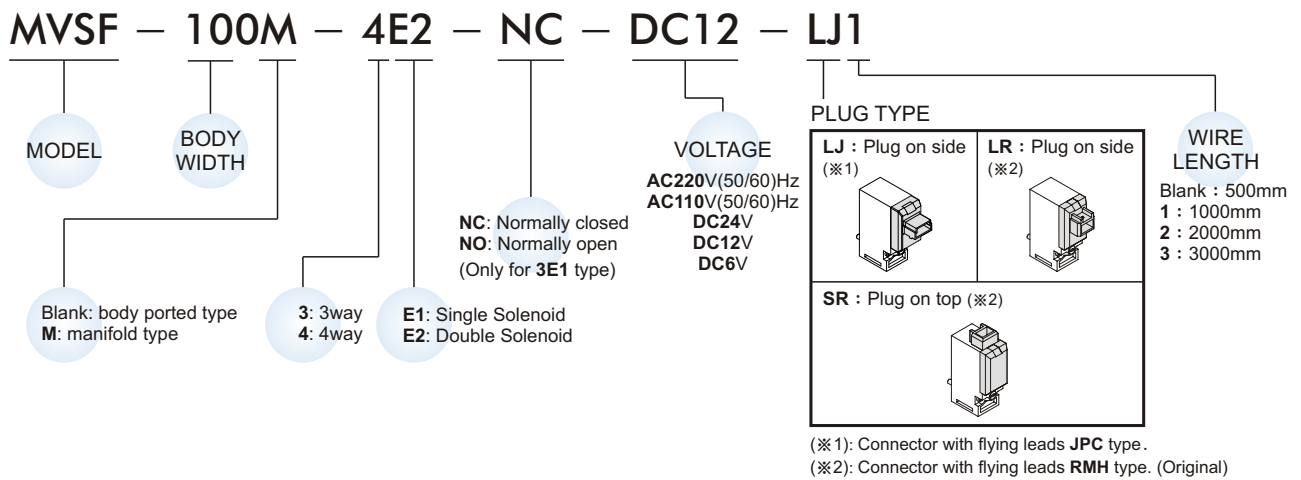
Specification

Model	3E1	3E2	4E1	4E2
Bore No.	M3			
Port size	M3 × 0.5			
No. of port	3		5	
No. of position	2			
Medium	Air			
Operating pressure range	0.15~0.7 MPa			
Effective orifice mm ² (Cv)	P→A/B: 1.0 (0.06)			
Response time	12 ms			
Ambient temperature	-5~+50℃ (No freezing)			
Lubrication	Not necessary			
Voltage	AC110V, AC220V(50/60)Hz, DC6/12/24V			
Power consumption	AC=1.6 / 2.5VA, DC=1.2 W (LED indicator)			
Available voltage range	± 10%			
Insulation class	B class			
Weight	25 g	41 g	28 g	44 g

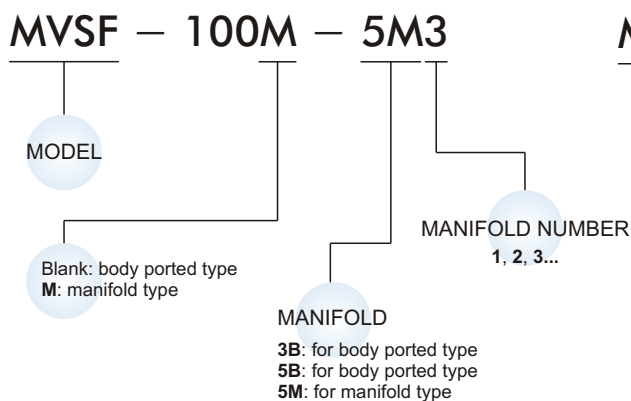
Features

- **Low power consumption: 1.2W**
- **Compact design, Large flow capacity:**
Cv factor for this series is 1.25 times larger than conventional valve with the same body width.
- **Quick response time: 12ms**

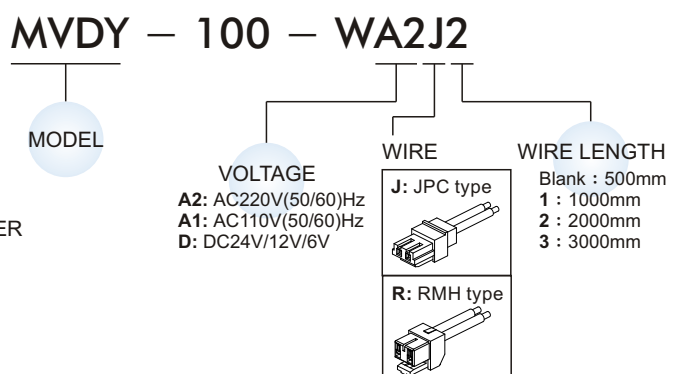
Order example of valve



Order example of manifold



Order example of wire

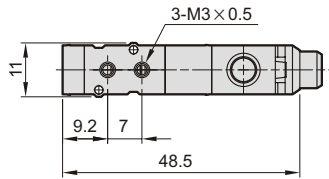
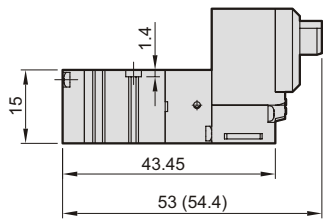
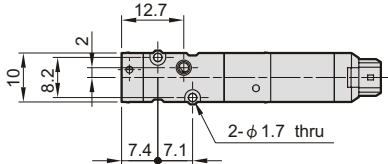
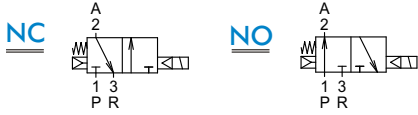


MVSF-100 Dimensions / Manifold

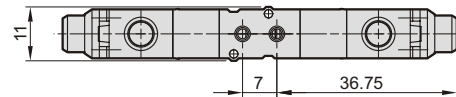
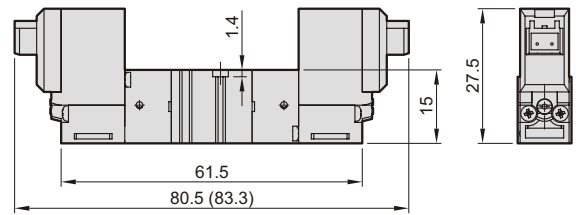
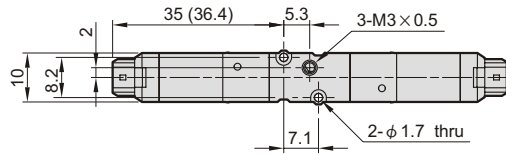
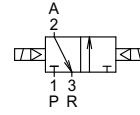
SOLENOID VALVE



MVSF-100-3E1-NC/NO



MVSF-100-3E2

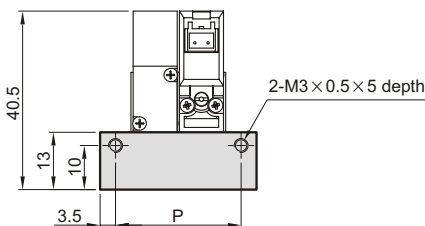
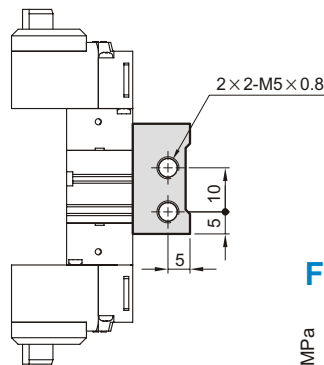
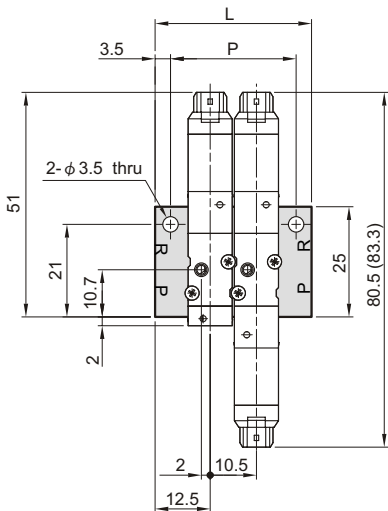


Manifold of solenoid valve

MVSF-100-3B*

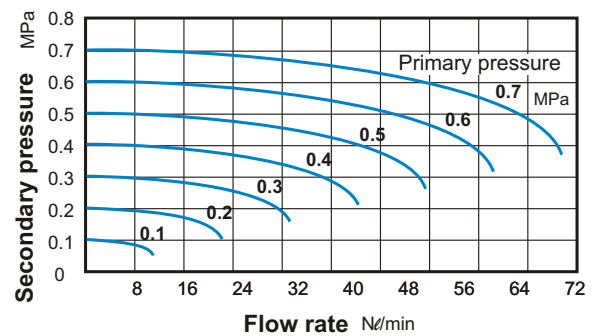
3way (for body ported type)

() : Dimension for LJ plug type.



No. of stations (N)	P	L
2	28.5	35.5
3	39	46
4	49.5	56.5
5	60	67
6	70.5	77.5
7	81	88
8	91.5	98.5
9	102	109
10	112.5	119.5

Flow features

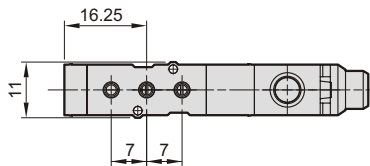
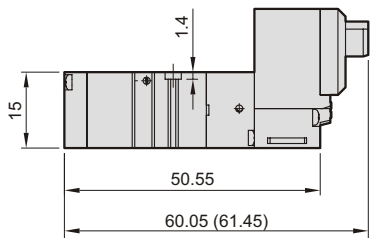
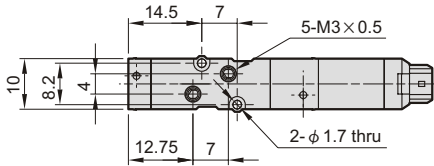
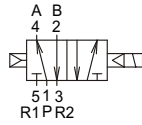


MVSF-100 Dimensions

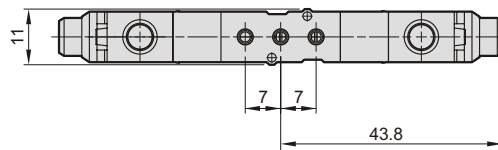
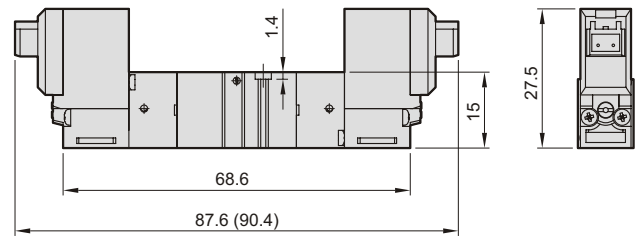
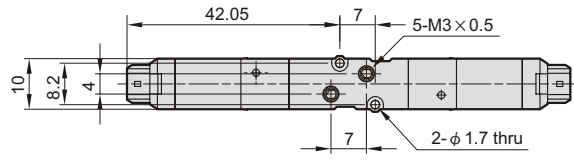
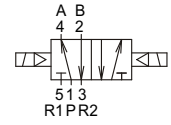
SOLENOID VALVE



MVSF-100-4E1



MVSF-100-4E2

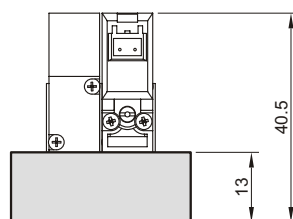
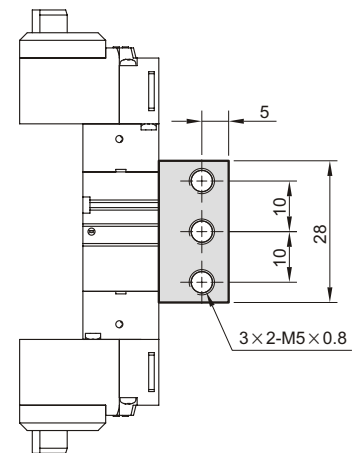
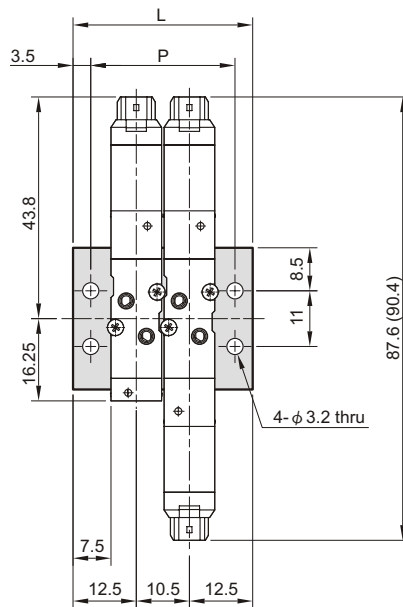


Manifold of solenoid valve

MVSF-100-5B*

4way (for body ported type)

No. of stations	P	L
2	28.5	35.5
3	39	46
4	49.5	56.5
5	60	67
6	70.5	77.5
7	81	88
8	91.5	98.5
9	102	109
10	112.5	119.5



(): Dimension for LJ plug type.



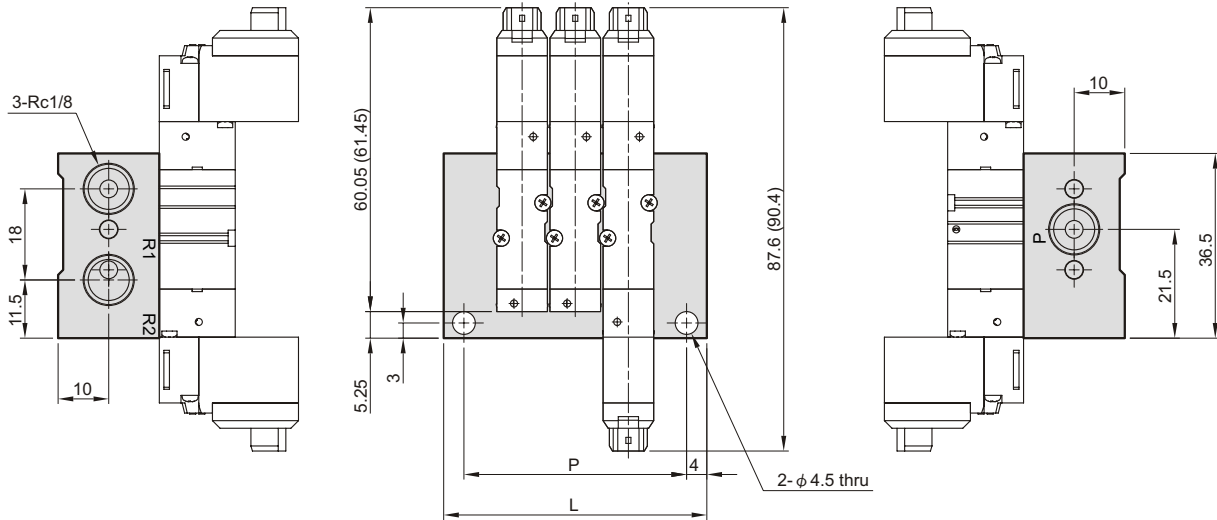
MVSF-100 Manifold

SOLENOID VALVE

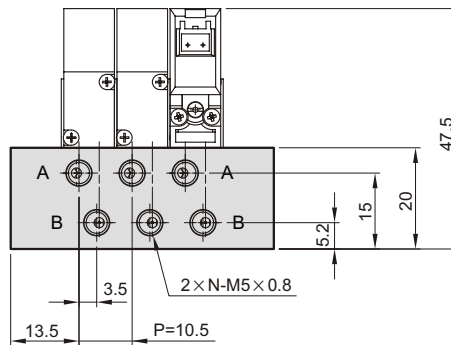


MVSF-100M-5M*

4way (for manifold type)



No. of stations	P	L
2	33.5	41.5
3	44	52
4	54.5	62.5
5	65	73
6	75.5	83.5
7	86	94
8	96.5	104.5
9	107	115
10	117.5	125.5



() : Dimension for LJ plug type.

