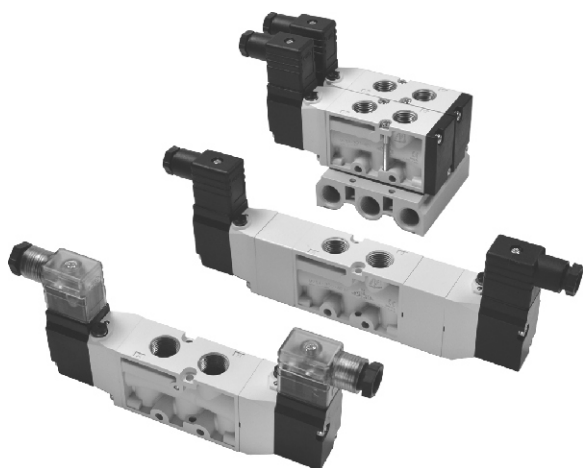


# MVSA-300 series

## SOLENOID VALVE

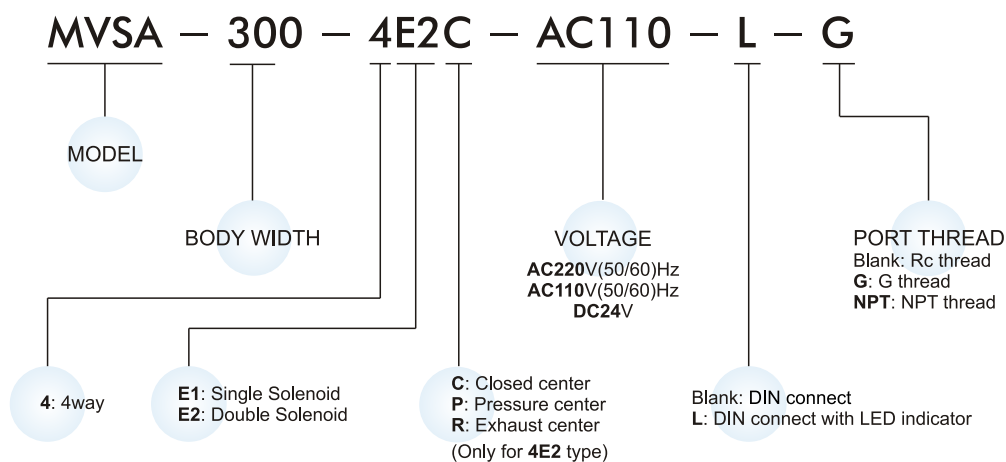


### Specification

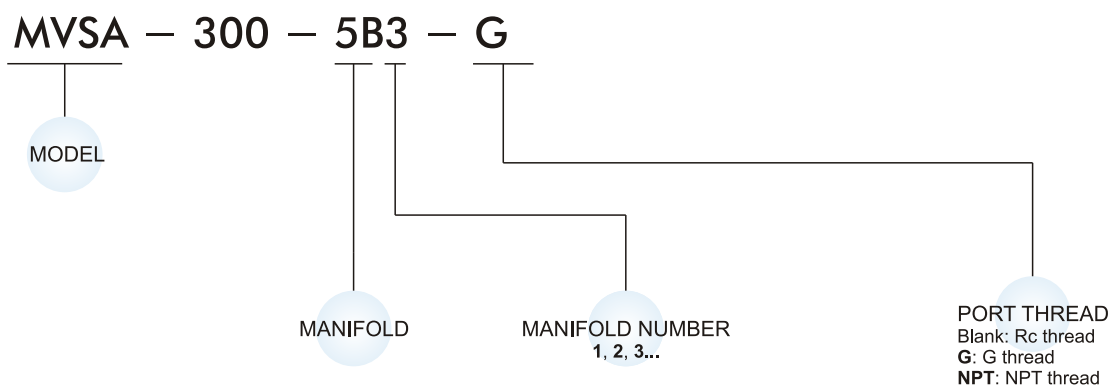


Model	4E1	4E2	4E2C.P.R
Bore No.	10A		
Port size	Rc3/8		
No. of port	5		
No. of position	2		3
Medium	Air		
Operating pressure range	0.2~0.7 MPa		0.3~0.7 MPa
Proof pressure	1 MPa		
Effective orifice	35 mm <sup>2</sup>		25 mm <sup>2</sup>
Response time	50 ms		
Ambient temperature	-5~ +50°C (No freezing)		
Voltage	AC110V, 220V (50/60)Hz, DC24V		
Power consumption	AC=3.5VA, DC=3.5W		
Available voltage range	± 10%		
Insulation class	B class		
Weight	381 g	545 g	714 g

### Order example of valve



### Order example of manifold

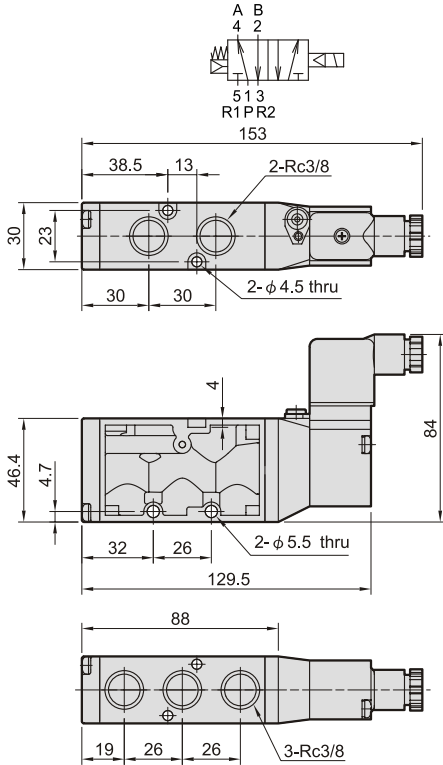


# MVSA-300 Dimensions

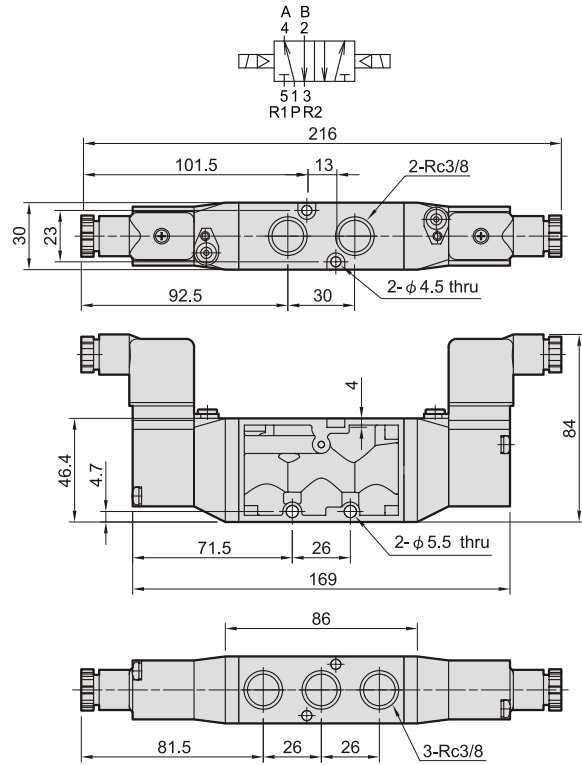
## SOLENOID VALVE



### MVSA-300-4E1



### MVSA-300-4E2

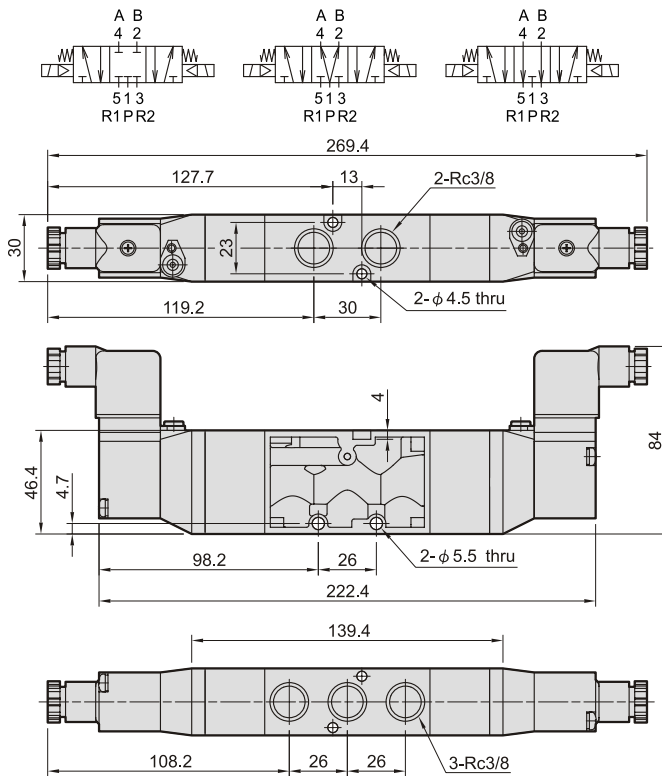


### MVSA-300-4E2C.PR

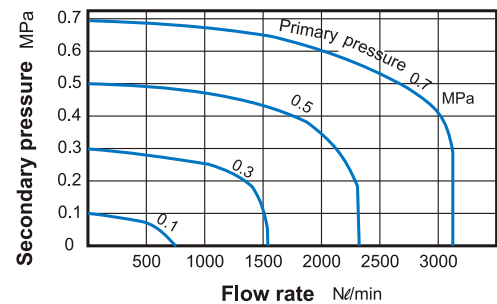
#### MVSA-300-4E2C

#### MVSA-300-4E2P

#### MVSA-300-4E2R



### Flow features



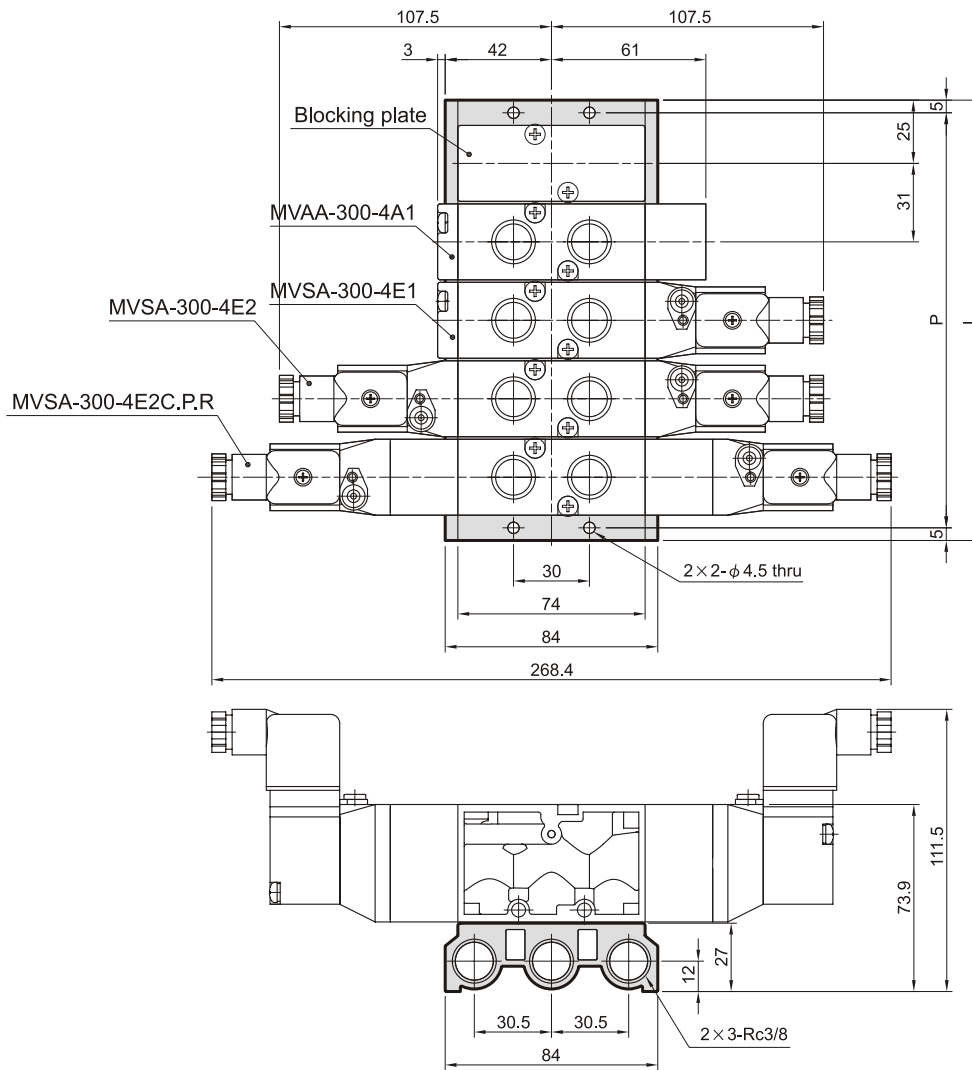
# MVSA-300 Manifold

## SOLENOID VALVE



mindman

### MVSA-300-5B\*



No. of stations	P	L
2	71	81
3	102	112
4	133	143
5	164	174
6	195	205
7	226	236
8	257	267
9	288	298
10	319	329



mindman